

Barco digital cinema projectors

XDC -2000B

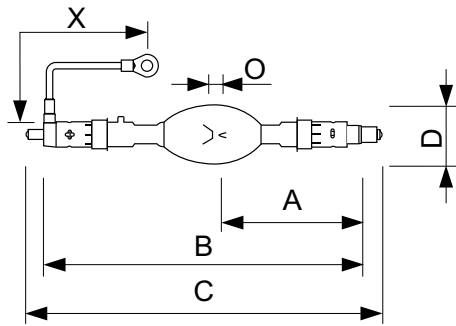
Digital Xenon Cinema B-type lamps are ideal for today's demanding 3D and 2D digital cinema presentations. They are especially designed for Barco projectors. There is a choice of three power ratings in the B-type Digital Xenon Cinema lamps range: 3000W, 4000W, or 6500W. There is also a choice of three power ratings in the BH-type Digital Helios lamps: 2000W, 3000W, and 4200W power ratings. All these lamps produce the very high light output needed to maximize screen brightness and enhance the dramatic effect for the viewer. These long-life digital lamps also provide constant color temperature characteristics, and meet all of the stringent arc-stability requirements for consistent customer satisfaction. In addition to B-type Digital Cinema Xenon lamps there are C-, N-, S-, and TA-type Digital Cinema Xenon lamps. These are all individually customized per projector, so there is a different, perfect-fitting lamp for each projector model to ensure optimized projector performance.

Product data

General Information	
Operating Position	P5 [Parallel +/-5D or Horizontal(HOR)]
Main Application	Cinema
Nominal Lifetime (Nom)	2400 h
Magnet	-
Operating and Electrical	
Power (Rated) (Nom)	2000 W
Lamp Current Span	60/85 A
Lamp Current (Nom)	80 A
Ignition Peak Voltage (Max)	40000 V

Voltage (Nom)	25 V
Product Data	
Full product code	872790085639200
Order product name	XDC -2000B
EAN/UPC - Product	8727900856392
Order code	928415306301
Numerator - Quantity Per Pack	1
Numerator - Packs per outer box	1
Material Nr. (12NC)	928415306301
Net Weight (Piece)	0.480 kg

Dimensional drawing



Product	O	D	X	B	C	A
XDC -2000B	4.6 mm	55 mm	140 mm	294 mm	341 mm	123 mm

LTIX XDC 2000 B

