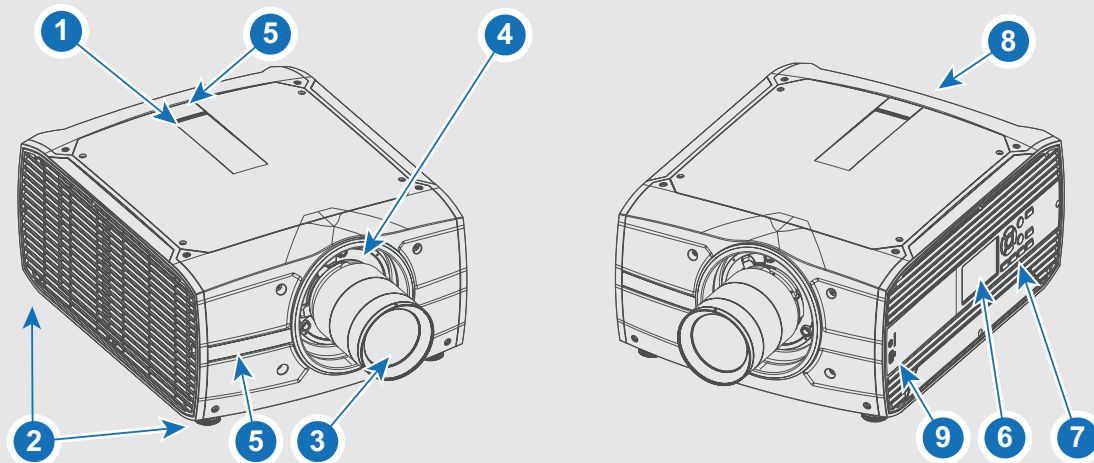


F70-series Quick Start Guide

General

Projector Main Components and interface



- 1 LED status light
- 2 Adjustable feet.
- 3 Projector lens.
- 4 Lens holder.
- 5 IR receiver: For receiving remote control signals
- 6 LCD panel.
- 7 Keypad: Used for local operations on the projector.
- 8 Connector panel: Control and communication interfaces for the projector.
- 9 Front USB and Triggerboard.



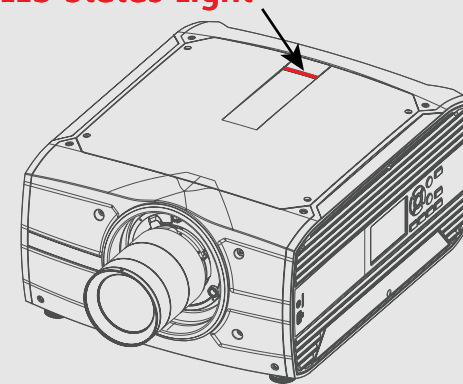
WARNING!

Class 1 Laser RG2 Product.
For North America, Class 3R up to TR 2.5

This Projector may become RG3.

Refer to user manual before operating
Do not stare into beam. This projector
has class 4 laser cluster. Do not attempt
to disassemble or modify this projector.

LED Status Light

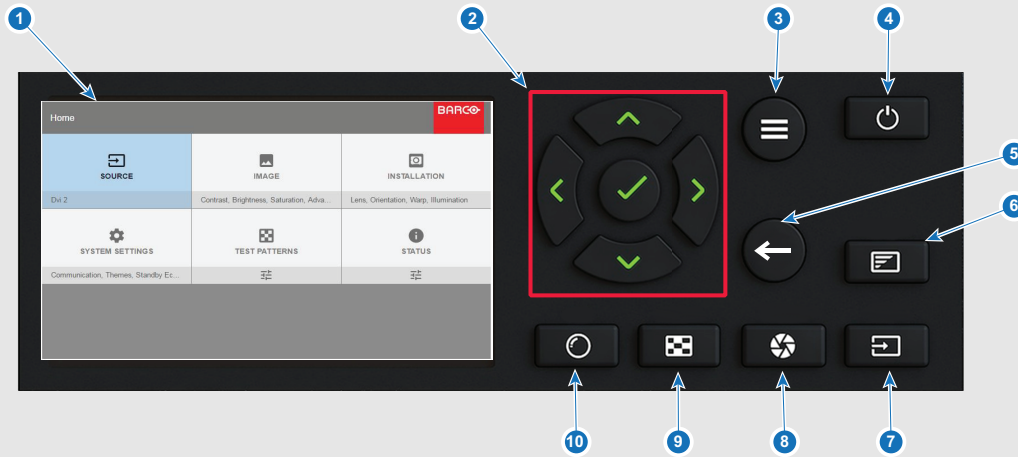


Red light indicates a failure.
Contact service representative.



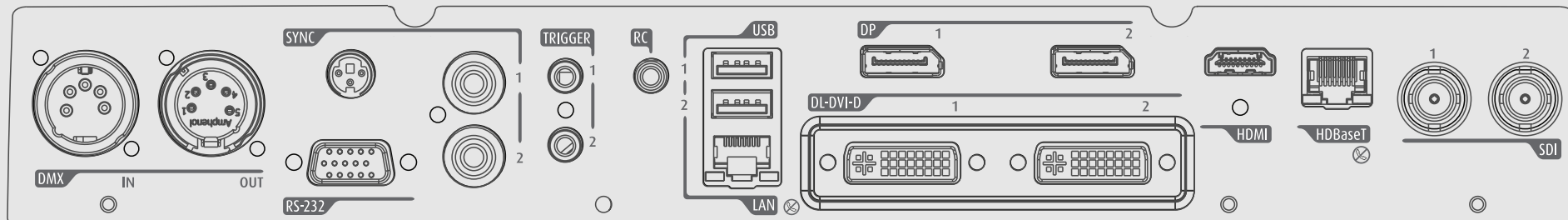
General

Keypad



- 1 LCD Screen. Displays the current projector status and source connections.
- 2 Navigation Panel. Navigation arrows (up, down, left, right). Confirm selection. (✓)
- 3 Turn On Screen Display (OSD) menu ON / OFF.
- 4 Power On/Standby
- 5 Undo action / Back to previous screen
- 6 Deactivate the OSD. Only critical warnings will be displayed.
- 7 Select input source. Menu appear on OSD or in LCD display. Use Navigation Panel to select and confirm
- 8 Open / Close lens shutter.
- 9 Activate test pattern. Menu appear on OSD or in LCD display. Use Navigation Panel to select and confirm.
- 10 Activate Lens Function. Use navigation keys to manage and confirm actions.

Control & communication connections



DMX: DMX512 Input

RS-232: 9- pin DB9 Connector

Sync: BNC Sync Port IN/OUT; Bidir mini-DIN

Trigger: 12VDC - 0,5A (6W)

RC: XLR connector for wired remote

USB: Usb 2.0 type A, 4 pin

LAN: Standard RJ45 connector

DP: Standard Display port

DL-DVI-D: Dual DVI-I 1.0 (DVI_D Functionality)

HDMI: Standard HDMI 2.0

HDBaseT: Standard RJ45 8P8C Connector

SDI: SDI connector with Barcolink Support

General

Installation Conditions

Ambient operating conditions:

Altitude 0 - 500 m:

Temperature: 10 - 45°C

Humidity: 10-80% RH

Altitude 500 - 1500 m:

Temperature: 10 - 40°C

Humidity: 10-80% RH

Altitude 1500 - 3000 m:

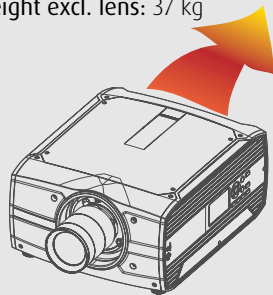
Temperature: 10 - 35°C

Humidity: 10-80% RH

Power requirements: 100 - 240 V, 50 - 60 Hz

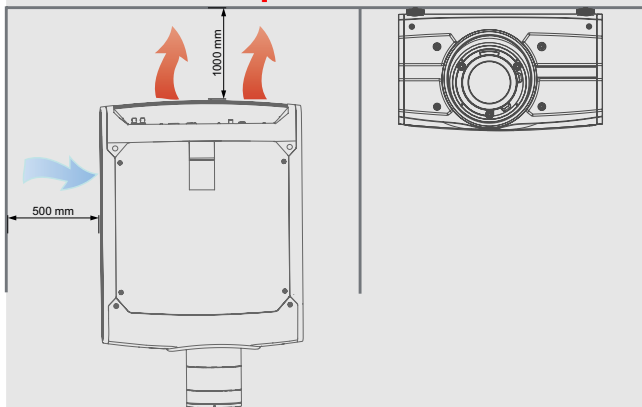
Dimensions excl. lens: 475 x 593 x 272 mm (WxLxH)

Weight excl. lens: 37 kg

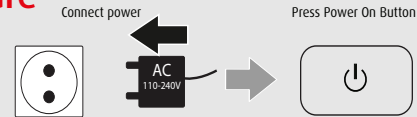


CAUTION!
Warm exhaust!
Do not place
heat-sensitive
objects in this area.

Ventilation Requirements



Power up procedure



- 1 Plug in mains power cord.
- 2 Press the power button.

The projectore are running a start up procedure. When completed, the standby button illuminates white. (Standby mode).

- 3 Press power button again to bring the projector in On mode. When the power button backlight is steady blue, the projector are ready for use.

Power down procedure

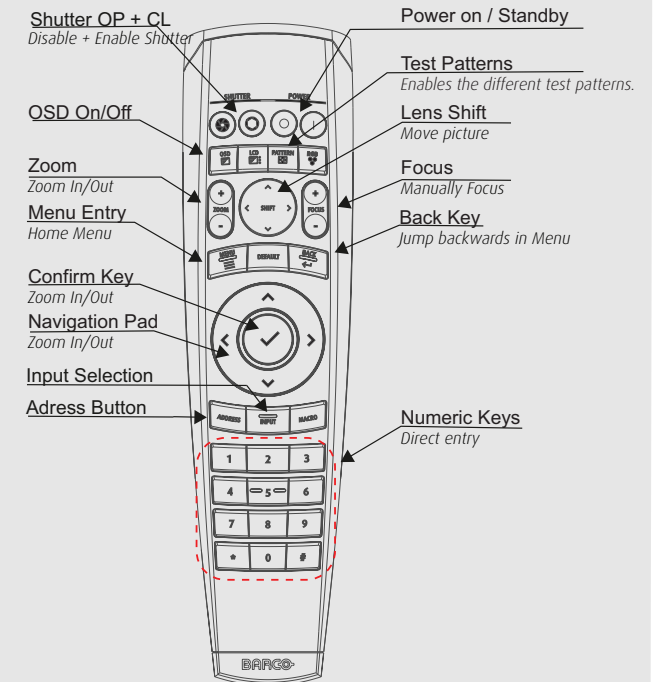


- 1 Press Power Button for 3 seconds.
The power button will illuminate white, and the projector enters the cooling down process.
- 2 Wait until the cooling down process are completed before removing the main power cord from the projector.

Failure Indications - what to do Content is distorted or color is not correct

- 1 Review source information in the Status menu (LCD screen or OSD) and verify that the source signal is compatible.
- 2 Check length of source cables; try shorter cables.
- 3 Use test images to verify that the correct aspect ratio is selected.
- 4 Reset color and display settings to factory settings.
- 5 Restart the projector. Let the unit cool down for at least 1 minute prior to restarting.

Remote Control



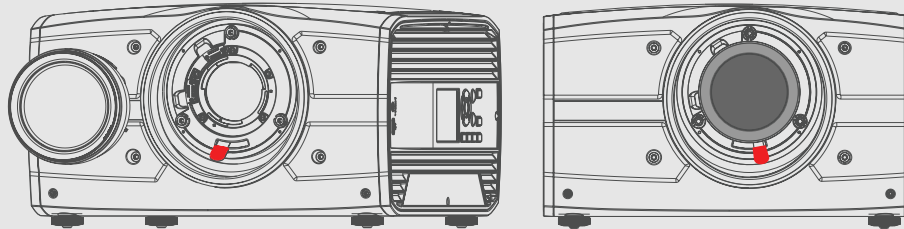
Maintenance

Installing lens

- 1 When handling lens in or out, always close shutter, see keypad explanation. Press Shutter keypad, and verify that the shutter keypad turn in to red illumination. This indicate that the shutter is closed. When the lens is installed, open shutter by pressing the shutter key. Shutter open state is verified when the shutter key illuminates white.
- 2 Verify that the lens release lever is in it's default position, at the far left of the slide, as illustrated
- 3 Remove the protective cap at the lens bayonet end
- 4 Align the lens so that the red marking on the bayonet end is facing upwards.
- 5 Install the lens bayonet into the lens mount, and then move the lever to the right. Check that the lever is firmly at the far right end, and that the lens is firmly in place before removing your hand from the lens..



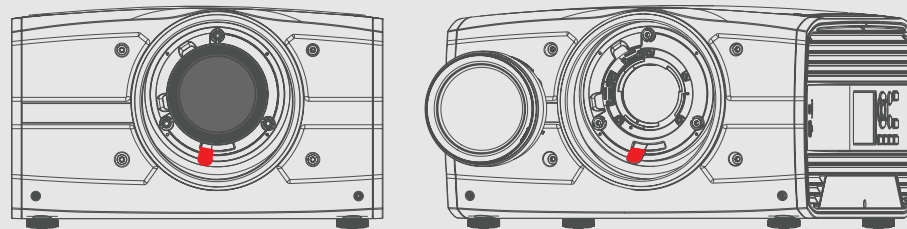
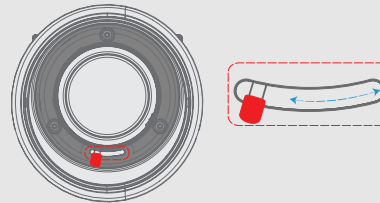
WARNING!
Always keep shutter closed when lens is removed



Lens Removal

- 1 When removing the lens, always close the shutter, see keypad explanation. Press Shutter keypad, and verify that the shutter keypad turn in to red illumination. This indicate that the shutter is closed. When new lens is installed, open shutter by pressing the shutter key. Shutter open state is verified when the shutter key illuminates white.
- 2 Move the lever to the far left position
- 3 Pull the lens straight out of the lens mount.

NOTE!! To prevent damage to the lens, and dust contamination in the projector light processor, always replace the lens bayonet cap, lens front cap and projector lens cap immediately after removing the lens.



Software upgrade



CAUTION !

Do NOT turn off, power down, or remove mains power supply to the projector when an upgrade is in progress.

NOTE !

Once initiated, the upgrade procedure can take up to 20 minutes to complete.

- 1 Go to www.barco.com and select your product. All available firmware downloads are filed under the Technical Downloads tab.
- 2 Download the firmware. Extract and save the file to a USB Stick with FAT file system. Use the eject function on your PC to safely remove the device from your computer.
- 3 Place the projector in Standby mode (status indicator is steady white).
- 4 Insert the USB stick into one of the projector's rear USB ports.

After a few seconds, the status indicator will flash. (Rate: 3 Hz/180 FPM). This signals that the upgrade is in progress. If the upgrade file is corrupt or invalid, the status indicator will turn red and the upgrade process will stop. **Note!** The upgrade will not be installed in this instance, and the upgrade process must be restarted with a full and correct file.

The projector may restart several times during the upgrade process

- 5 The LCD display will show the progress of the update procedure, and also when the USB stick must be removed. The projector will return to standby mode (status indicator is steady) once the upgrade is completed successfully.

The projector is now ready for normal operation.

BARCO