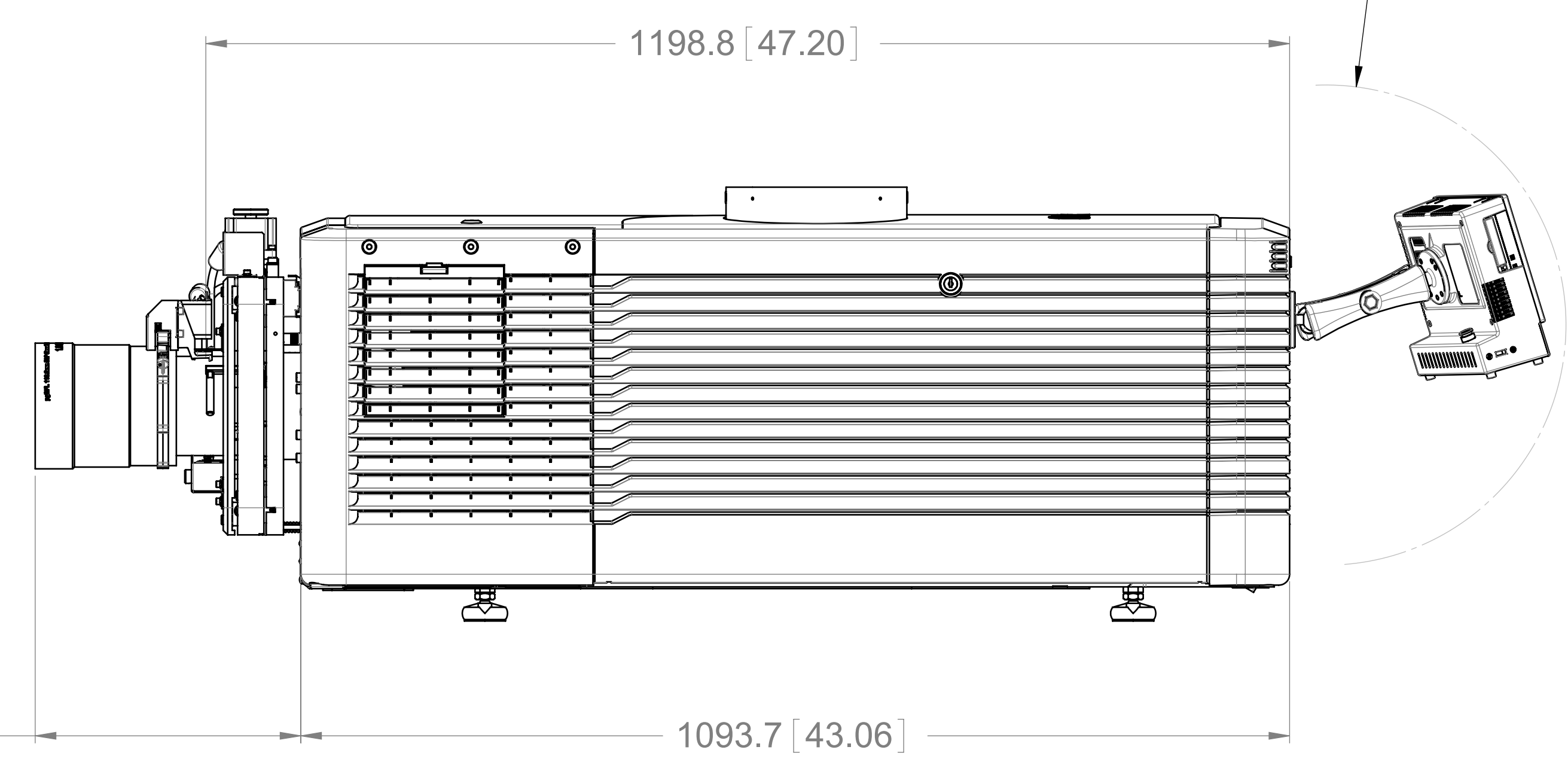
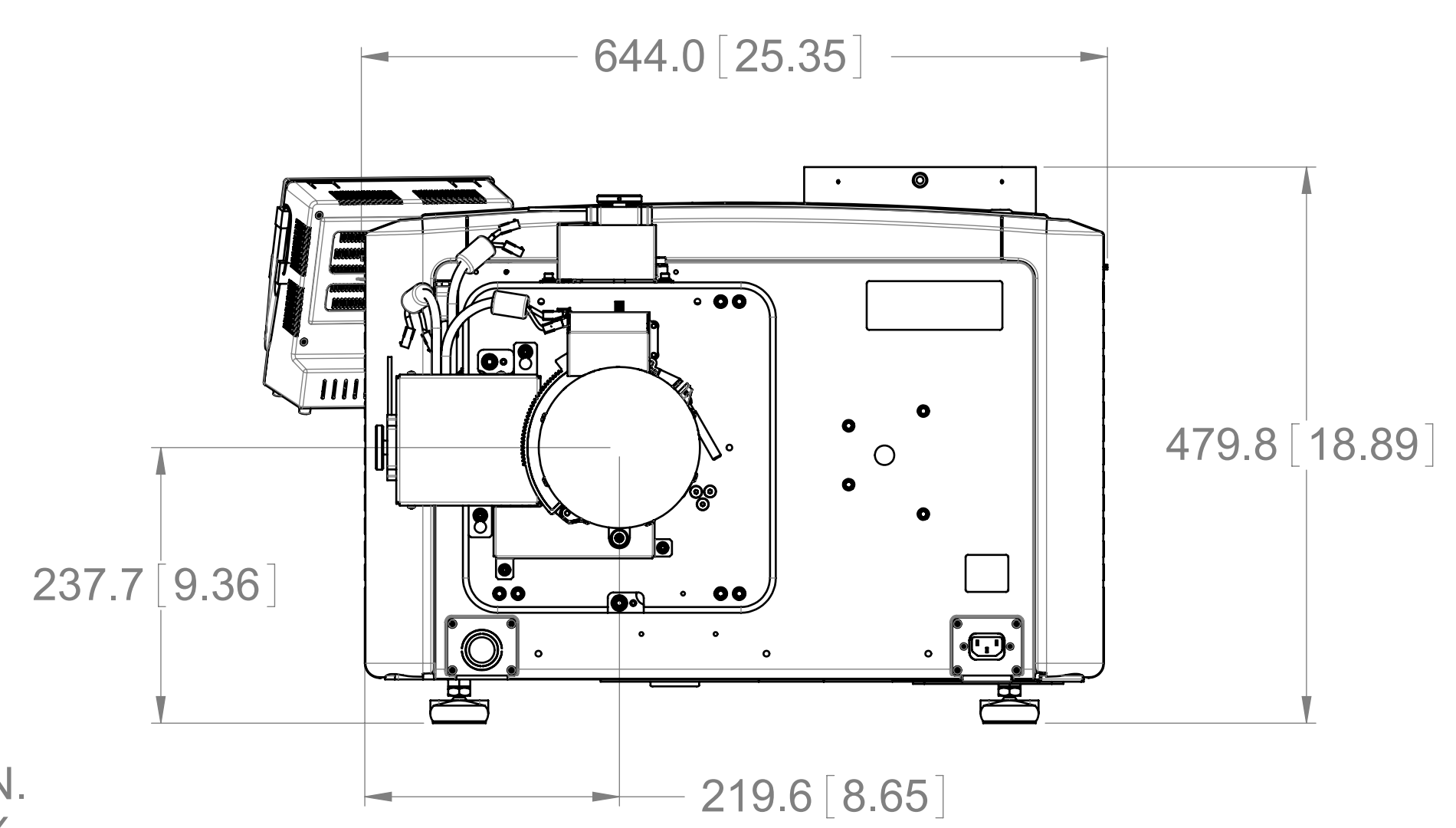
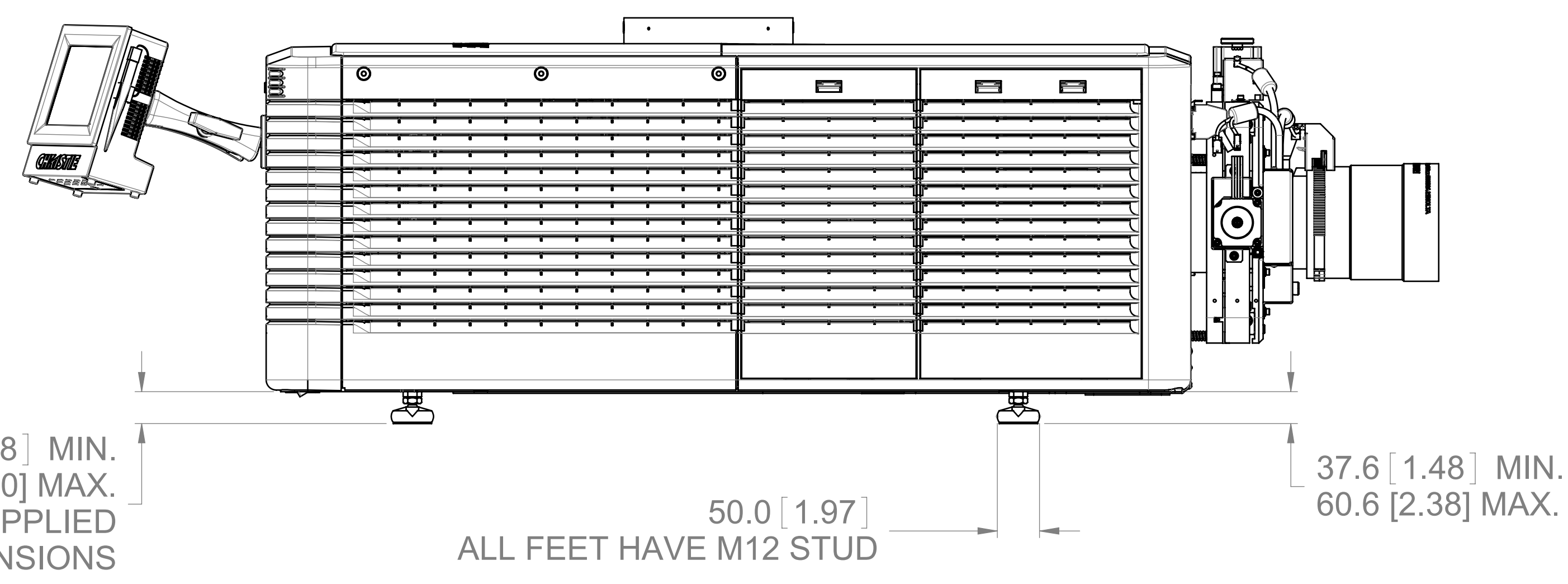
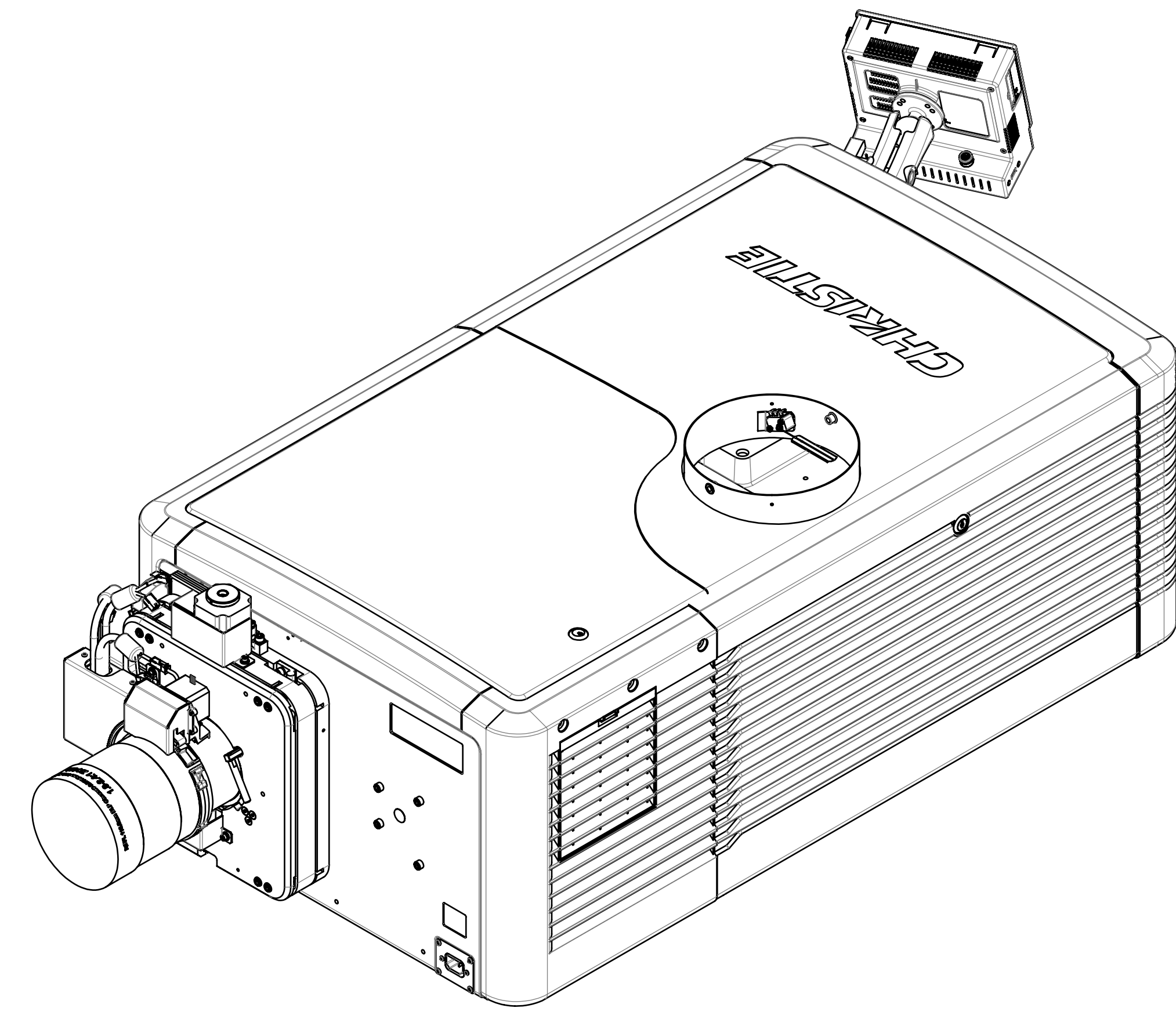
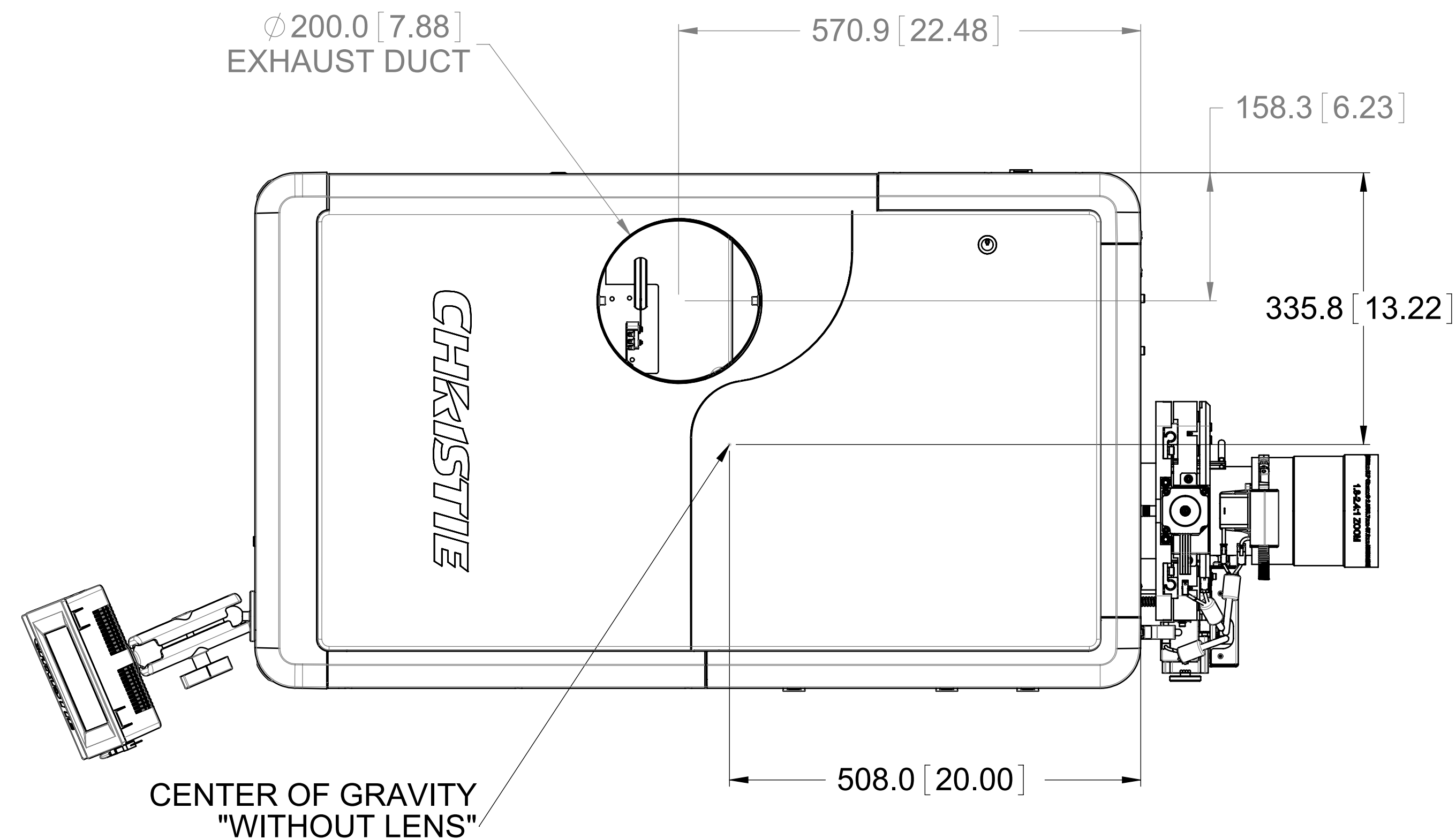
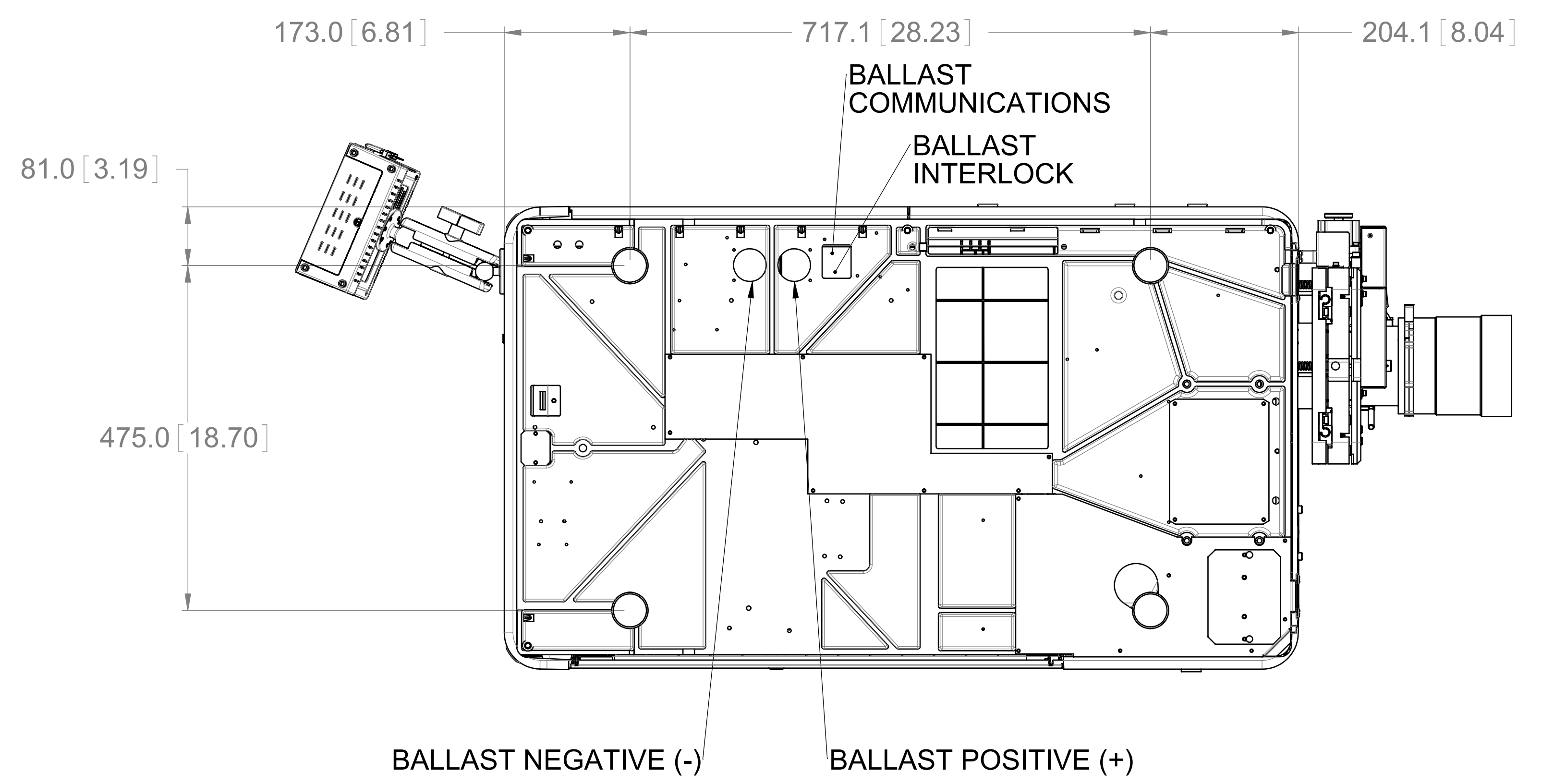


REV	DESCRIPTION OF CHANGE	BY	REV DATE
01	INITIAL RELEASE	GM	05/26/2011
02	UPDATED EXHAUST REQUIREMENTS AND HEAT LOAD VALUES. MOVED UPS VALUES TO PAGE 3	PT	06/17/2011

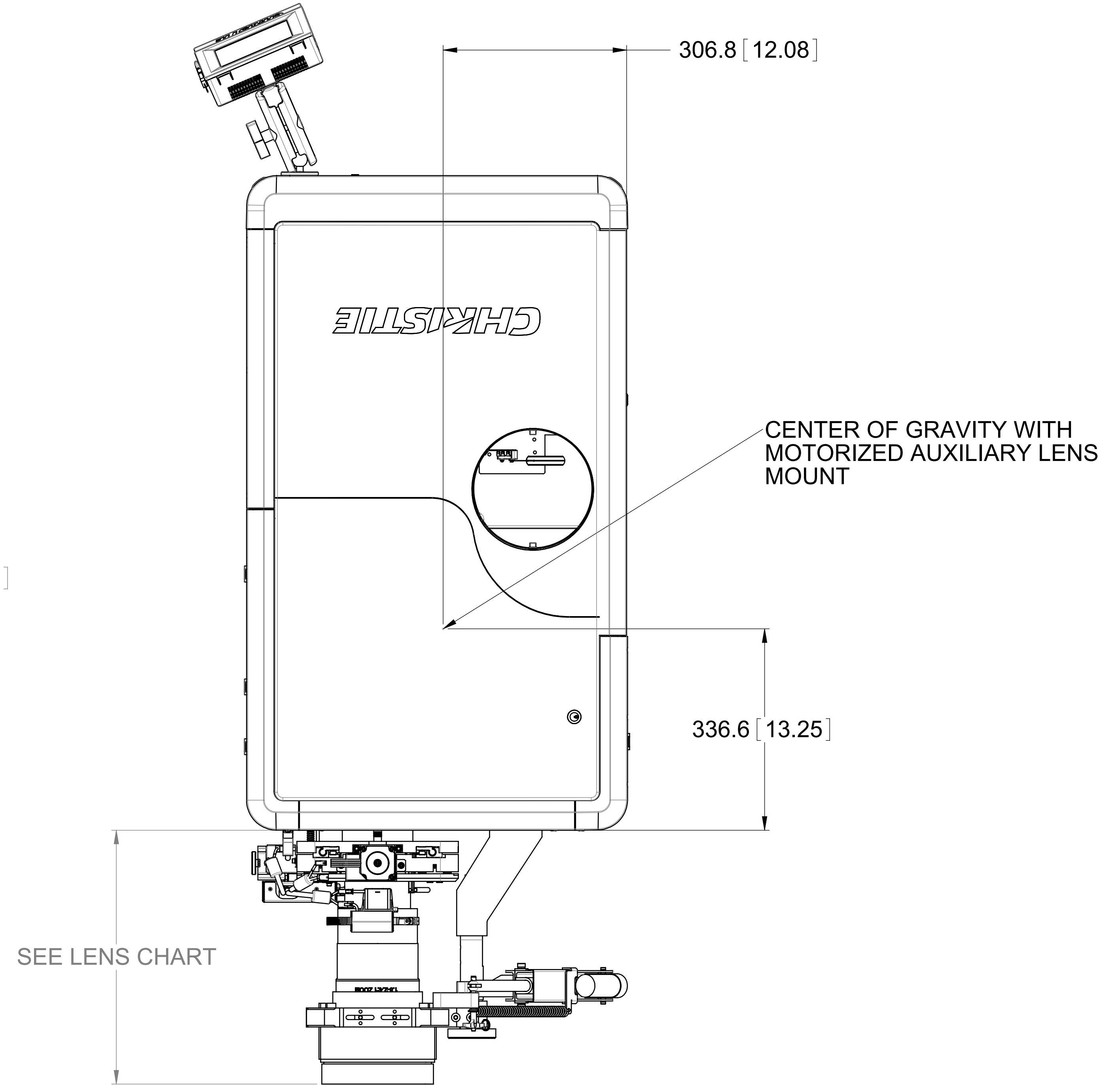
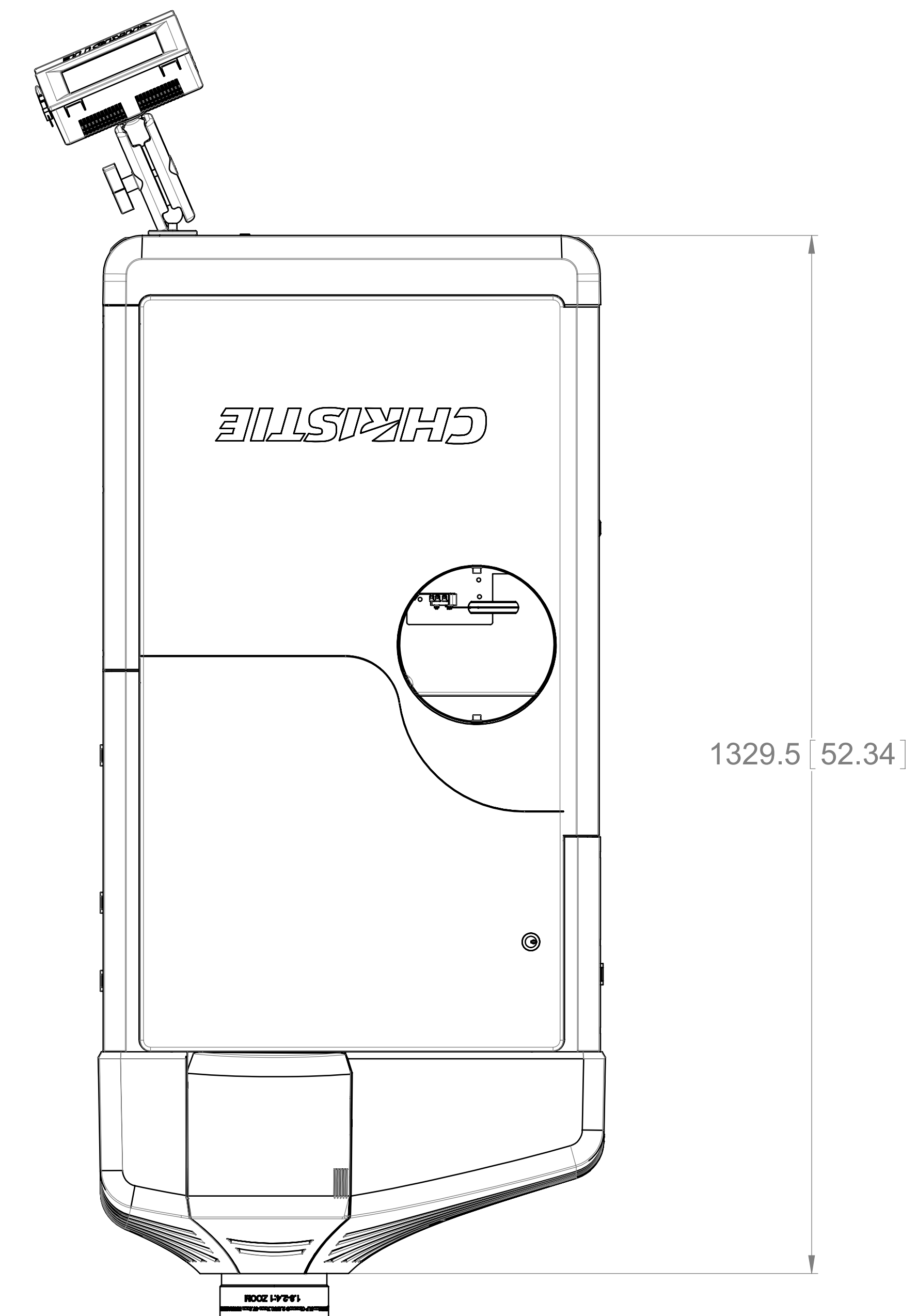
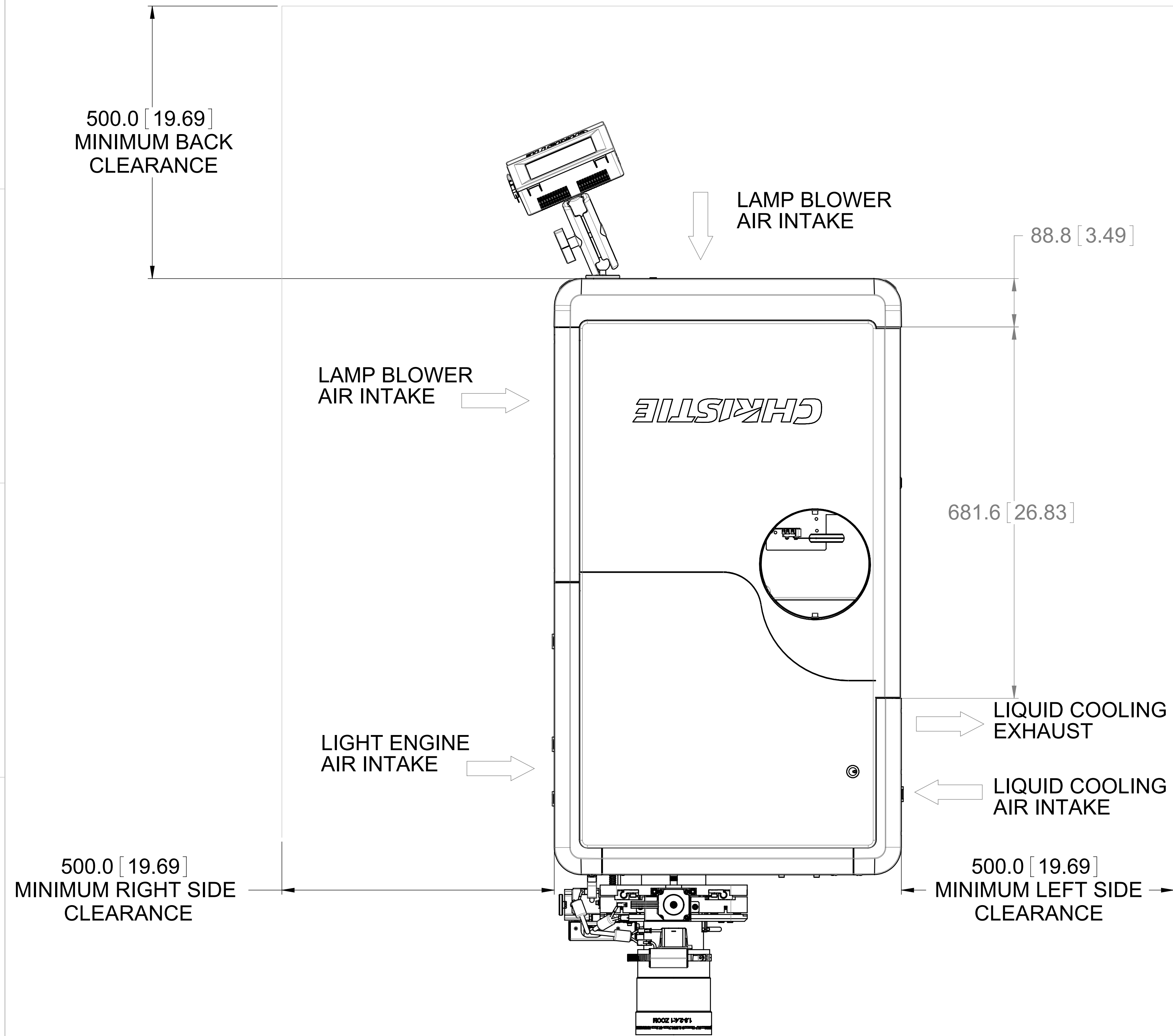


2K THROW	4K THROW	DIMENSION
1.25-1.45	1.13-1.31	356.9 [14.05]
1.25-1.83	1.13-1.66	374.9 [14.75]
1.45-1.8	1.31-1.62	305.2 [12.02]
1.45-2.05	1.31-1.85	329.5 [12.97]
1.6-2.4	1.45-2.17	326.2 [12.84]
1.8-2.4	1.63-2.17	293.5 [11.56]
1.8-3.0	1.63-2.71	237.9 [9.37]
2.15-3.6	1.95-3.26	240.6 [9.47]
2.2-3.0	1.98-2.71	249.0 [9.80]
3.0-4.3	2.71-3.89	293.9 [11.57]
4.3-6.0	3.89-5.43	366.2 [14.42]
5.5-8.5	4.98-7.69	412.1 [16.22]

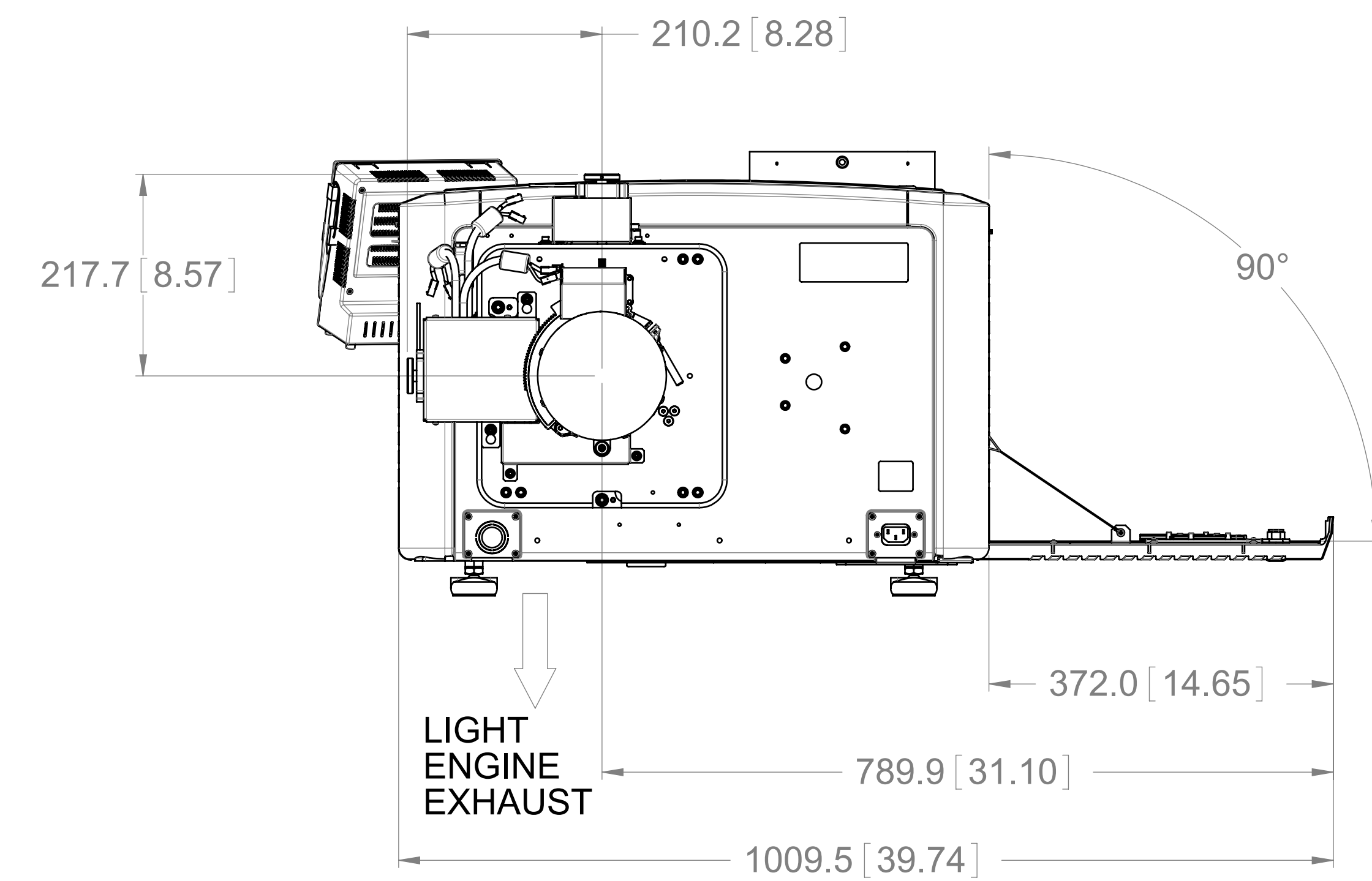


- GENERAL NOTES:
- MASS: 111 kg (245 lbs) NO LENS
 - AMBIENT AIR TEMPERATURE: 10°C (50°F) - 35°C (95°F) MAX.
 - EXHAUST REQUIREMENTS: 600 cfm @ 0 - 3000FT ELEVATION
800 cfm @ > 3000FT ELEVATION
 - POWER REQUIREMENTS: SINGLE PHASE 200-240 VAC, 15 AMP BREAKER
SINGLE PHASE 100-240 VAC (UPS)
 - POWER CONSUMPTION (HEAD ONLY): 1.5 kW max
 - ROOM HEAT LOAD: 9,600 BTU/h max*
 - EXHAUST HEAT LOAD: 22,400 BTU/h max*
 - * HEAT LOAD VALUES BASED ON 6kW LAMP RUNNING AT 110%
 - TILT ANGLE: 15° MAX. BACK TO FRONT (REAR FEET ADJUSTMENT)

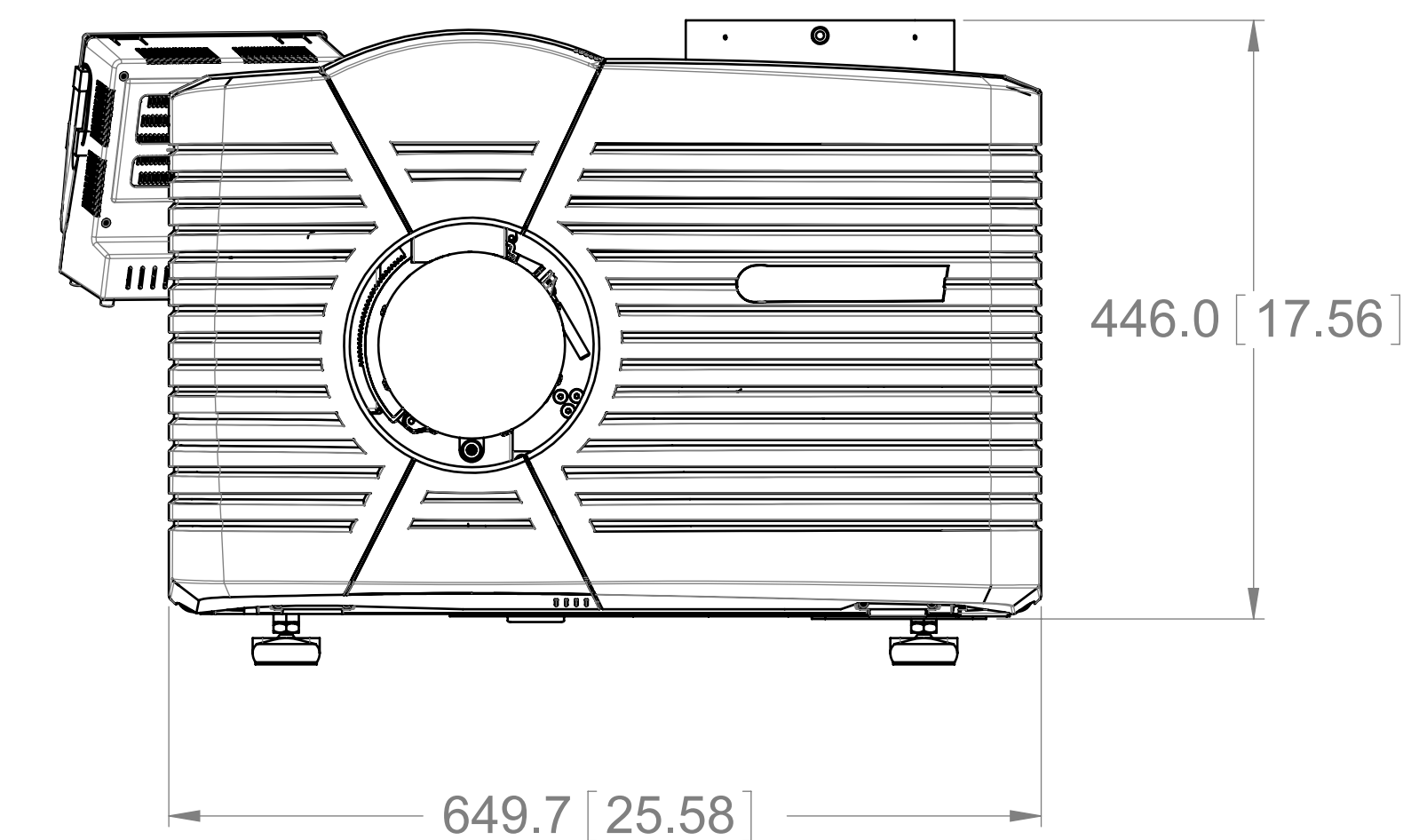
UNITS: INCHES <input checked="" type="checkbox"/> MILLIMETRES	UNLESS OTHERWISE SPECIFIED	INTERFERE DIMENSIONS AND TOLERANCES PER ASME Y14.5M-1994	TOLERANCES APPLY AS SHOWN BELOW	DECIMAL PLACES: .XXX ± 0.03, .XX ± 0.13, .X ± 0.25	ANGULAR DIMENSIONS: XX' ± 0.1°, XX.X' ± 0.1°	THIRD ANGLE PROJECTION	PROPRIETARY	NOT TO BE DISCLOSED OR REPRODUCED IN ANY MANNER WITHOUT THE EXPRESS WRITTEN PERMISSION OF CHRISTIE	CHRISTIE DIGITAL SYSTEMS USA, INC. CHRISTIE DIGITAL SYSTEMS CANADA, INC.			
<table border="0"> <tr> <td>DRAWN BY: G. MARK</td> <td>DATE: 05/26/2011</td> <td>APPROVED BY: E. VOSS</td> <td>DATE: 06/23/2011</td> </tr> </table>								DRAWN BY: G. MARK	DATE: 05/26/2011	APPROVED BY: E. VOSS	DATE: 06/23/2011	<p>CHRISTIE</p> <p>LINE DWG CP4230</p> <p>020-100717-01</p>
DRAWN BY: G. MARK	DATE: 05/26/2011	APPROVED BY: E. VOSS	DATE: 06/23/2011									
<p>SCALE: 1:5 MASS: - LBS (- KG)</p>								<p>SHEET 1 OF 3</p>				



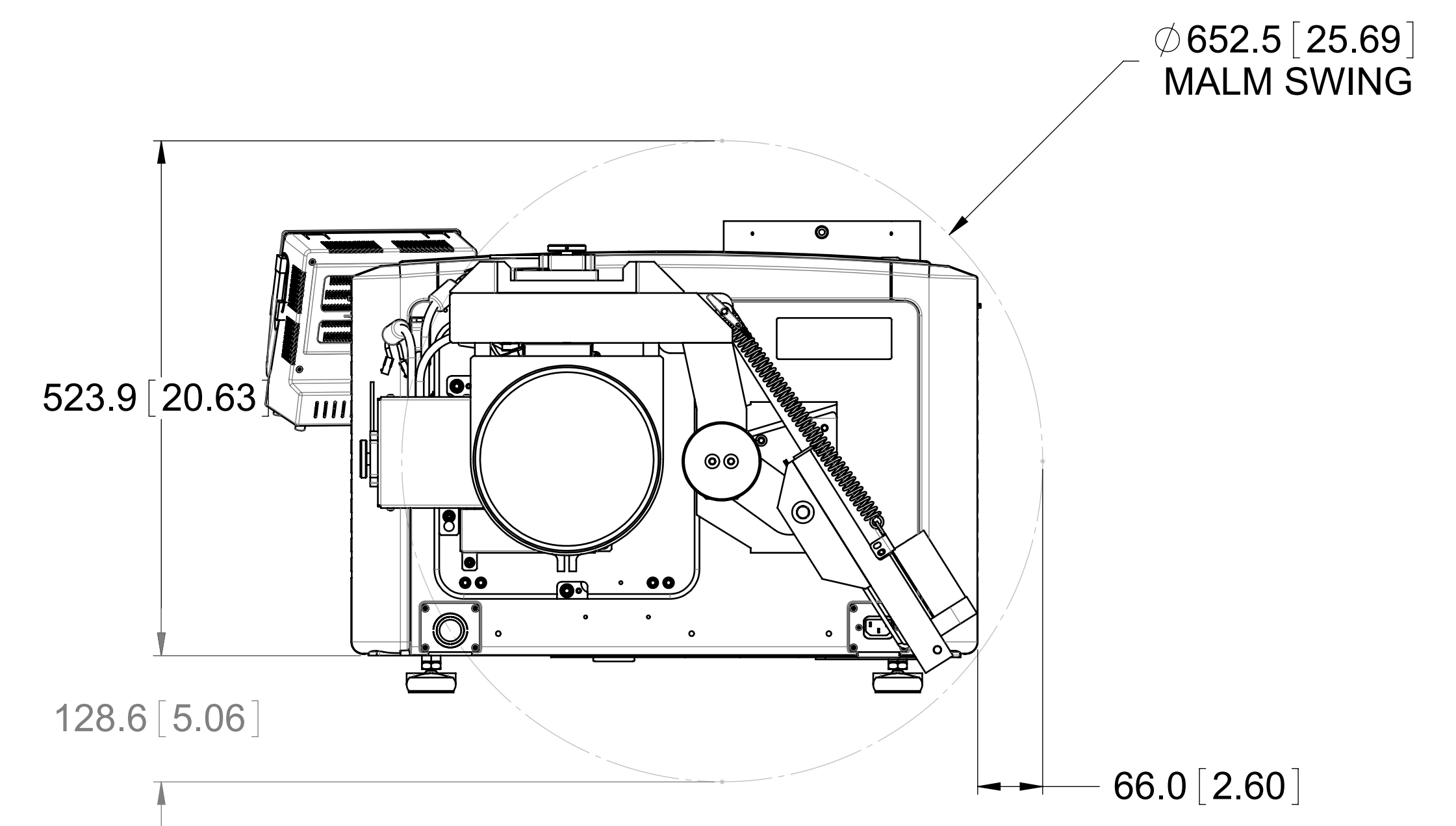
2K THROW	4K THROW	DIMENSION
1.45-1.8	1.31-1.62	463.9 [18.26]
1.8-2.4	1.63-2.16	452.2 [17.80]
2.2-3.0	1.98-2.71	407.7 [16.05]
3.0-4.3	2.71-3.89	452.6 [17.81]



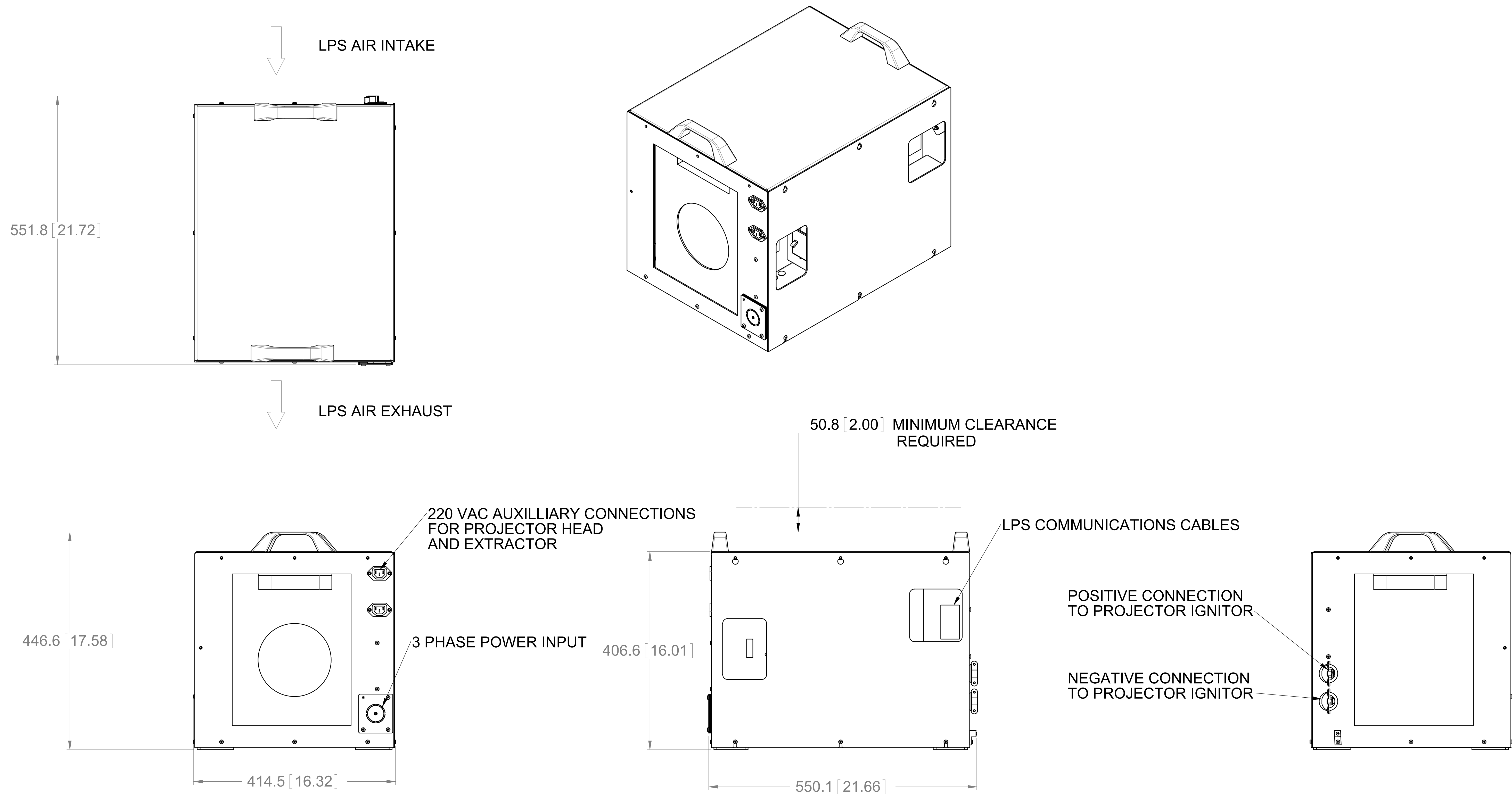
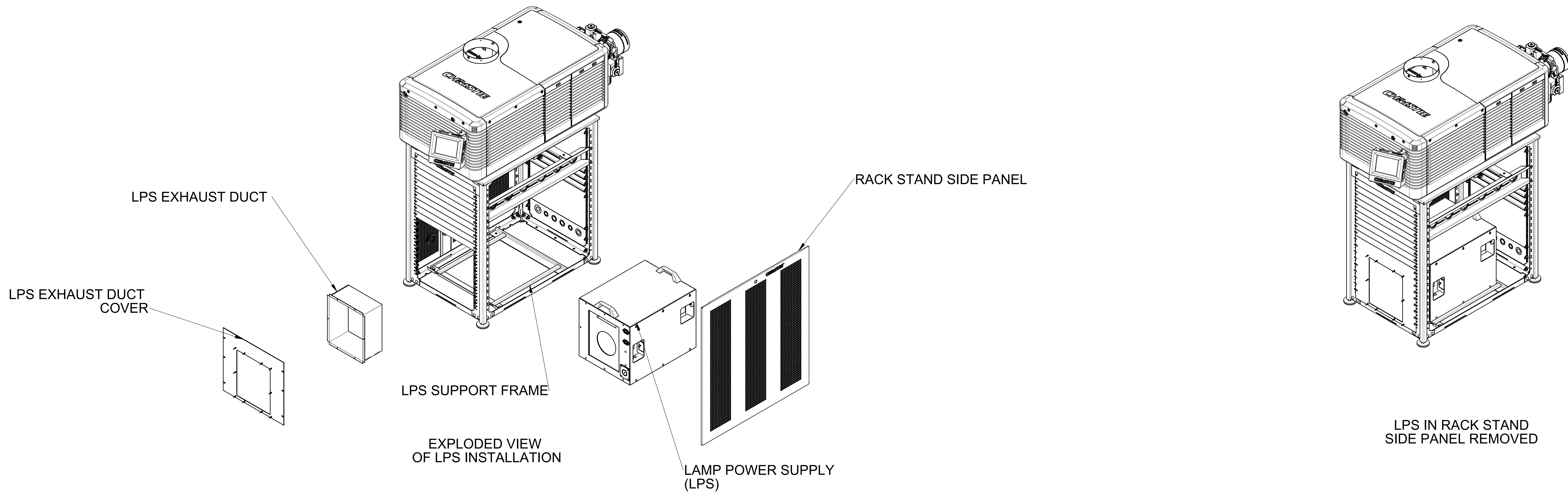
REQUIRED CLEARANCES



CP4230 WITH SHROUD



CP4230 WITH MOTORIZED AUXILIARY LENS MOUNT



LAMP POWER SUPPLY INFORMATION:
 WEIGHT: 32kg (70LBS)
 ELECTRICAL CONNECTION:
 3Ø 220/400 VAC 50/60 Hz, 50AMP BREAKER

POWER CONSUMPTION (LAMP + HEAD):
 13.2 kW (200-230V, 38A max.)
 17.1 kW (380-415V, 26A max.)

COMMUNICATION CONNECTIONS: RS232 (x2)
 IGNITOR CONNECTIONS: M12 LUG (x2)

