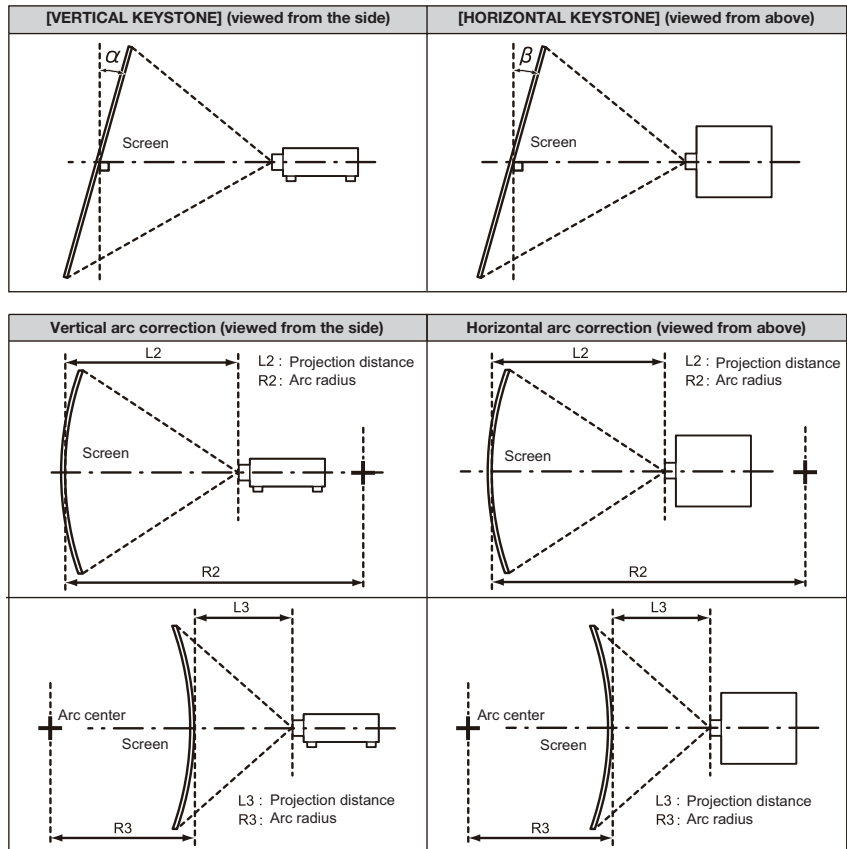


## Specifications

## Main unit

Power supply		AC 100V - 240V, 50Hz/60Hz
Power consumption		1,100 W (11 A - 4.5 A) NORMAL: 730W ECO: 590W SHUTTER: 100W *Operating Temperature: 25 °C (77 °F), Altitude: 700m (2,297 ft), IEC62087: 2008 Broadcast contents, Picture mode: Standard, Dynamic Contrast2 STANDBY MODE [ECO]: 0.5W STANDBY MODE [NORMAL]: 7W STANDBY MODE (When the [QUICK STARTUP] function is enabled): Approx. 100 W
BTU value		Max 3,754 BTU
DLP™ chip	Panel size Projection system Pixels	17.0 mm (0.67 in) diagonal (16:10 aspect ratio) DLP™ chip × 1, DLP™ system 2,304,000 (1920 × 1200)
Light source		Laser Diode
Light output*1		12,000 lm*2 / 12,600 lm(Center)*3 (When [OPERATING MODE] is set to [NORMAL]) 9,600lm (When [OPERATING MODE] is set to [ECO]) 10,000lm (When [OPERATING MODE] is set to [QUIET1]) 8,000lm (When [OPERATING MODE] is set to [QUIET2])
Time until light output declines to 50 %*4		20,000 hours (NORMAL)/24,000 hours (ECO)
Resolution		1920 × 1200 pixels
Contrast*2		10,000:1 (All White/All Black) (Dynamic Contrast3)
Screen size		1.27 – 15.24 m (50–600 inches) (16:10 aspect ratio) *1.27 – 5.08 m (50 – 200 inches) with the ET-DLE055 (16:10 aspect ratio) *2.54 – 8.89 m (100 – 350 inches) with the ET-DLE035 (16:10 aspect ratio)
Center-to-corner uniformity*2		90%
Lens	PT-RZ120B/W PT-RZ120LB/LW	Powered zoom/focus lenses (1.7–2.4:1), F 1.7–1.9, f 25.6–35.7 mm Optional powered zoom/focus lenses and fixed-focus lens
Compatible signal	RGB	Resolution: 640 × 400 to 1920 × 1200 Dot clock frequency: 162 MHz or less PIAS (Panasonic Intelligent Auto Scanning) system
	YPbPr (YCbCr)	Resolution: 480i/576i to 1920 × 1080 Dot clock frequency: 148.5 MHz or less The HD/SYNC and VD terminals do not support 3 value SYNC.
	DVI-D	Moving image signal resolution: 480i*5/576i*5 to 1920 × 1080 Still image signal resolution: 640 × 400 to 1920 × 1200 (non-interlace) Dot clock frequency: 25 MHz to 162 MHz
	HDMI	Moving image signal resolution: 480i*5/576i*5 to 4096 × 2160 Still image signal resolution: 640 × 400 to 1920 × 1200 (non-interlace) Dot clock frequency: 25 MHz to 594 MHz
	DIGITAL LINK	Moving image signal resolution: 480i*5/576i*5 to 4096 × 2160 Still image signal resolution: 640 × 400 to 1920 × 1200 (non-interlace) Dot clock frequency: 25 MHz to 297 MHz
	SDI	SD-SDI signal HD-SDI signal 3G-SDI signal

Geometry correction range



Projection lens Model No.	Only [KEYSTONE] used		[KEYSTONE] and [CURVED] used together				Only [CURVED] used	
	Vertical keystone correction angle $\alpha$ (°)	Horizontal keystone correction angle $\beta$ (°)	Vertical keystone correction angle $\alpha$ (°)	Horizontal keystone correction angle $\beta$ (°)	Min. value of R2/L2	Min. value of R3/L3	Min. value of R2/L2	Min. value of R3/L3
Supplied lens/ ET-DLE170	±40	±15	±20	±15	0.9	1.7	0.5	1
ET-DLE035*6	+5/-0	0	—	—	—	—	—	—
ET-DLE055	±22	±15	±8	±8	1.7	4.3	1	2.6
ET-DLE060	±16	±10	—	—	—	—	—	—
ET-DLE085	±22	±15	±8	±8	1.7	4.3	1	2.6
ET-DLE105	±22	±15	±8	±8	1.7	4.3	1	2.6
ET-DLE150	±40	±15	±20	±15	1.1	2.6	0.6	1.5
ET-DLE250	±40	±15	±20	±15	0.7	1.3	0.4	0.7
ET-DLE350	±40	±15	±20	±15	0.4	0.8	0.3	0.5
ET-DLE450	±40	±15	±20	±15	0.3	0.6	0.2	0.3

When using the optional Upgrade Kit (Model No.: ET-UK20)

Projection lens Model No.	Only [KEYSTONE] used*7		[KEYSTONE] and [CURVED] used together				Only [CURVED] used	
	Vertical keystone correction angle $\alpha$ (°)	Horizontal keystone correction angle $\beta$ (°)	Vertical keystone correction angle $\alpha$ (°)	Horizontal keystone correction angle $\beta$ (°)	Min. value of R2/L2	Min. value of R3/L3	Min. value of R2/L2	Min. value of R3/L3
Supplied lens/ ET-DLE170	±40	±40	±20	±15	0.7	1.3	0.4	0.7
ET-DLE035*6	+5/-0	0	—	—	—	—	—	—
ET-DLE055	±22	±15	±8	±8	1.3	3.3	0.8	1.9
ET-DLE060	±16	±10	—	—	—	—	—	—
ET-DLE085	±22	±15	±8	±8	1.3	3.3	0.8	1.9
ET-DLE105	±22	±15	±8	±8	1.3	3.3	0.8	1.9
ET-DLE150	±40	±40	±20	±15	0.9	2	0.5	1.1
ET-DLE250	±40	±40	±20	±15	0.5	1	0.3	0.6
ET-DLE350	±45	±40	±20	±15	0.3	0.6	0.2	0.4
ET-DLE450	±45	±40	±20	±15	0.2	0.4	0.2	0.3

Optical axis shift	Vertical: +50%, -16%(powered) (When using the ET-DLE060, +40%, -16%) Horizontal: +30%, -10%(powered) (When using the ET-DLE060, +19%, -10%) (When using the ET-DLE085/ET-DLE105, +28%, -10%) <b>NOTE: Optical axis shift function cannot be operated when used with the ET-DLE055.</b> <b>If using the ET-DLE035, the optical axis is fixed.</b>	
Installation	Ceiling/floor, front/rear	
Terminals	SDI IN	BNC × 1, 3G-SDI signal: SMPTE ST 424, 425-2 compliant HD-SDI signal: SMPTE ST 292 compliant SD-SDI signal: SMPTE ST 259 compliant
	HDMI IN	HDMI 19-pin × 1, Deep Color, compatible with HDCP2.2, 4K signal
	DVI-D IN	DVI-D 24-pin × 1, DVI 1.0 compliant, compatible with HDCP, for single link only
	RGB 1 IN R, G, B	BNC × 5 R: 0.7 Vp-p, 75 ohms, G: 0.7 Vp-p (G: 1.0 Vp-p for sync on G), 75 ohms, B: 0.7 Vp-p, 75 ohms
	Y, Pb, Pr (Y, Cb, Cr)	HD, VD/SYNC: TTL, high impedance, positive/negative automatic Y: 1.0 Vp-p (including sync signal), Pb/Pr (Cb/Cr): 0.7 Vp-p, 75 ohms
	RGB 2 IN R, G, B	D-sub HD 15-pin (female) × 1 R: 0.7 Vp-p, 75 ohms, G: 0.7 Vp-p (G: 1.0 Vp-p for sync on G), 75 ohms, B: 0.7 Vp-p, 75 ohms
	Y, Pb, Pr(Y, Cb, Cr)	HD, VD/SYNC: TTL, high impedance, positive/negative automatic Y: 1.0 Vp-p (including sync signal), Pb/Pr(Cb/Cr): 0.7 Vp-p, 75 ohms
	SERIAL/MULTI PROJECTOR SYNC IN	D-sub 9-pin (female) × 1 for external control (RS-232C compliant)
	SERIAL/MULTI PROJECTOR SYNC OUT	D-sub 9-pin (male) × 1 for link control
	REMOTE 1 IN	M3 jack × 1 for wired remote control
	REMOTE 1 OUT	M3 jack × 1 for link control (for wired remote control)
	REMOTE 2 IN	D-sub 9-pin (female) ×1 for external control (parallel)
	DIGITAL LINK/LAN	RJ-45 × 1 for network and DIGITAL LINK (video/network/serial control) (HDBaseT™ compliant), PJLink (class 2)compatible, 100Base-TX, Art-Net compatible, HDCP 2.2 compatible, Deep Color compatible, 4K signal compatible
LAN	RJ-45 × 1 for network connection, PJLink (class 2) compatible, 10Base-T/100Base-TX, Art-Net compatible	
Power cord length	3.0 m (9 ft 10 in)	
Cabinet materials	Molded plastic	
Dimensions (W × H × D)	PT-RZ120B/RZ120W	498 x 200*8 x 581mm (19-19/32 x 7-7/8*8 x 22-7/8in ) with supplied lens
	PT-RZ120LB/RZ120LW	498 x 200*8 x 538 mm (19-19/32 x 7-7/8*8 x 21-3/16in) without lens
Weight	PT-RZ120B/RZ120W	Approx. 23.6 kg (51.9 lbs.) with supplied lens
	PT-RZ120LB/RZ120LW	Approx. 22.8 kg (50.2 lbs.) without lens
Operation noise	44 dB[NORMAL] /41 dB[QUIET1] / 38dB[QUIET2])	
Laser Classification	Laser Class	USA and Canada: Class 3R (IEC 60825-1:2007) Other countries or regions: Class 1 (IEC/EN 60825-1:2014)
	Risk Group	Standard zoom lens, ET-DLE170, ET-DLE035, ET-DLE055, ET-DLE060, Risk Group 2 (IEC 62471-5:2015) ET-DLE085, ET-DLE105, ET-DLE150 ET-DLE250, ET-DLE350, ET-DLE450 Risk Group 3 (IEC 62471-5:2015)
Operating temperature	0–45 °C (32–113 °F)*9	
Operating humidity	10%–80% (no condensation)	

**Remote control unit**

Power supply	3 V DC (AAA/R03/LR03 battery × 2)
Operation range	Approx. 30 m (98 ft 5 in) when operated from directly in front of the signal receptor
Dimensions (W × H × D)	48 × 145 × 27 mm (1-7/8 × 5-23/32 × 1-1/16 in)
Weight*10	Approx. 102 g (3.6 ozs.) including batteries

**Other Applications**

- Multi Monitoring and Control Software (for Windows)
- Logo Transfer Software (for Windows)
- Geometry Manager Pro (for Windows)
- Smart Projector Control (iOS/Android)

**Supplied accessories**

- Power cord with secure lock (× 1) (× 2 for Europe / ASIA models)
- Wireless/wired remote control unit (× 1)
- Batteries for remote control (AAA/R03 or AAA/LR03 battery × 2)
- CD-ROM (Operating Instructions) (× 1)
- Lens Mount Cover (× 1)
- Lens cover (× 1) (Only models with lens)

**Optional accessories**

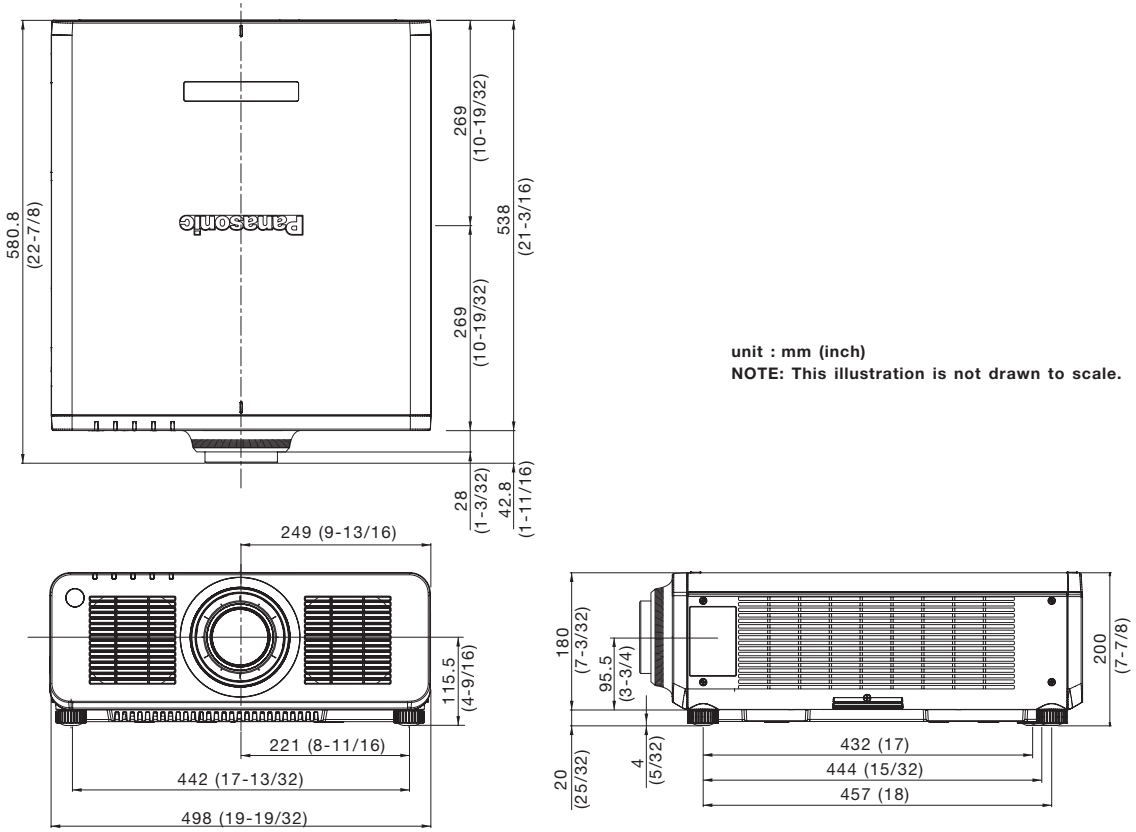
Digital interface box	ET-YFB100G
Digital LINK Switcher	ET-YFB200G
Zoom lens	ET-DLE060
Zoom lens	ET-DLE085
Zoom lens	ET-DLE105
Zoom lens	ET-DLE150
Zoom lens	ET-DLE170 (same as supplied lens)
Zoom lens	ET-DLE250
Zoom lens	ET-DLE350
Zoom lens	ET-DLE450
Fixed-focus lens	ET-DLE035
Fixed-focus lens	ET-DLE055
Ceiling mount bracket	ET-PKD120H (for high ceilings) ET-PKD120S (for low ceilings)
High-ceiling mount bracket (6-axis adjustment mechanism)	ET-PKD130H
Attachment for ceiling mount bracket	ET-PKD130B
Geometry Manager Pro Upgrade kit	ET-UK20
Auto Screen Adjustment Upgrade kit	ET-CUK10/CUK10P
Early Warning Software	ET-SWA100*11

\*1 Value is for the supplied standard zoom lens. The value varies depending on the lens.  
 \*2 Measurement, measuring conditions, and method of notation all comply with ISO/IEC 21118:2012 international standards.  
 \*3 Average light-output value of all shipped products measured at center of screen in NORMAL Mode.  
 \*4 Around this time, light output will have decreased by approximately 50 %. IEC62087: 2008 Broadcast contents, NORMAL Mode, Dynamic Contrast [3], under conditions with 30 °C (86 °F), 700 m (2,297 ft) above sea level, and 0.15 mg/m3 of particulate matter. Estimated time until light output declines to 50 % varies depending on environment.  
 \*5 Only the vertical keystone correction angle can be corrected in the direction in which the projector body moves away from the screen.  
 \*6 When [VERTICAL KEYSTONE] and [HORIZONTAL KEYSTONE] are used simultaneously, correction cannot be made exceeding total of 55°.
 

- When [GEOMETRY] is used, the focus of the entire screen may be lost as correction increases.
- Make the curved screen a circular arc shape with one part of a perfect circle removed.
- Adjustment range of the [GEOMETRY] items may not match the listed projection range depending on the projection lens. Use this projector within the projection range, otherwise the correction may not work.

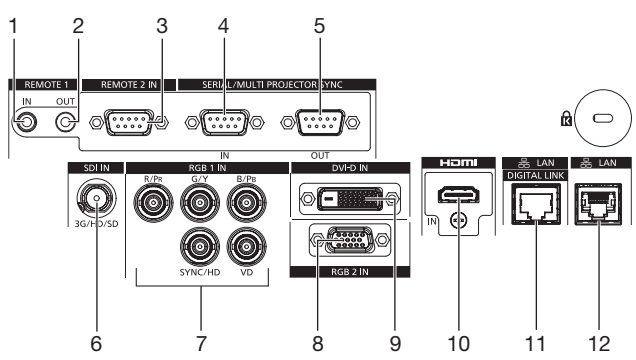
 \*7 Only compatible with dot clock frequency of 27 MHz (pixel repetition signal).  
 \*8 with legs at shortest position.  
 \*9 Limits the luminance when used in locations from 0m to 2,700m (0ft to 8,858ft) above sea level at ambient temperatures of 30°C (86°F) or higher, or from 2,700m to 4,200m (8,858ft to 13,780ft) above sea level at ambient temperatures of 25°C (77°F) or higher.  
 \*10 Average value. Weight varies for each product.  
 \*11 The symbol at the end of the part number will vary depending on the type of license.

Dimensions



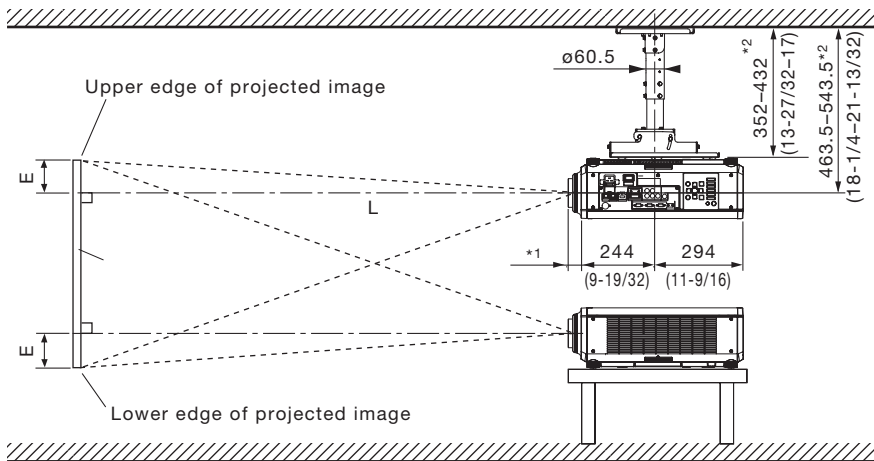
unit : mm (inch)  
NOTE: This illustration is not drawn to scale.

Terminals



- 1 REMOTE 1 INPUT
- 2 REMOTE 1 OUTPUT
- 3 REMOTE 2 INPUT
- 4 SERIAL/MULTI PROJECTOR SYNC INPUT
- 5 SERIAL/MULTI PROJECTOR SYNC OUTPUT
- 6 SDI INPUT
- 7 RGB 1 INPUT
- 8 RGB 2 INPUT
- 9 DVI-D INPUT
- 10 HDMI INPUT
- 11 DIGITAL LINK/LAN
- 12 LAN

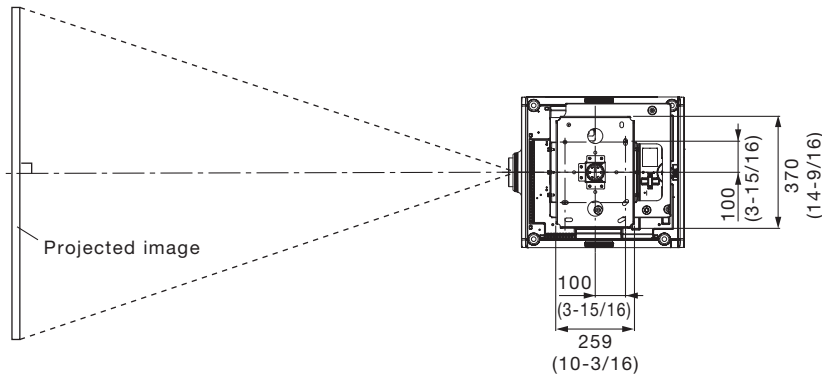
Standard setting-up position (If using other than the ET-DLE035)



\*1 When the lens protrudes to the maximum.  
 104 mm (4-3/32 in) with the ET-DLE060  
 84 mm (3-5/16 in) with the ET-DLE085  
 88 mm (3-15/32 in) with the ET-DLE105  
 44 mm (1-23/32 in) with the ET-DLE150  
 43 mm (1-11/16 in)  
 with the supplied lens/ET-DLE170  
 45 mm (1-25/32 in) with the ET-DLE250  
 51 mm (2 in) with the ET-DLE350  
 95 mm (3-3/4 in) with the ET-DLE450  
 27 mm (1-1/16 in) with the ET-DLE055

\*2 Adjustable in 40 mm (1-9/16 in) steps.

unit : mm (inch)



NOTE:

Illustrations show the projector installed using optional ceiling mount bracket ET-PKD120H, optional bracket assembly ET-PKD130B and an optional lens.

This illustration is not drawn to scale.

**Caution:**

- All construction work should be done by a qualified technician.
- When mounting to the ceiling, use the special mounting bracket. Furthermore, in order to prevent it from falling down from the ceiling, use the supplied wire on the mounting bracket.



Projection distance for 16:9 aspect ratio screen (If using other than the ET-DLE035)

Unit: meters

Screen size (diagonal)	Distance to screen (L)																		Height from the edge of screen to center of lens (H)		
	Zoom															Fixed-focus			Supplied lens ET-DLE085 105/150/250 350/450	ET-DLE060	ET-DLE055
	ET-DLE060 Zoom lens	ET-DLE085 Zoom lens	ET-DLE105 Zoom lens	ET-DLE150 Zoom lens	Supplied lens ET-DLE170 Zoom lens		ET-DLE250 Zoom lens	ET-DLE350 Zoom lens	ET-DLE450 Zoom lens	ET-DLE055 Fixed-focus lens											
	Throw ratio																				
0.600-0.802:1		0.783-0.977:1		0.979-1.32:1		1.30-1.89:1		1.72-2.41:1		2.27-3.62:1		3.58-5.45:1		5.36-8.58:1		0.786:1					
[m]	[in]	min.	max.	min.	max.	min.	max.	min.	max.	min.	max.	min.	max.	min.	max.	min.	max.				
1.27/ 50	0.64	0.87	0.85	1.07	1.06	1.45	1.42	2.07	<b>1.87</b>	<b>2.64</b>	2.49	3.97	3.91	5.98	5.82	9.39	0.85	-0.06	-0.46	0-0.46	0.31
1.52/ 60	0.78	1.05	1.03	1.29	1.29	1.75	1.71	2.49	<b>2.26</b>	<b>3.19</b>	3.00	4.79	4.72	7.20	7.05	11.32	1.03	-0.07	-0.55	0-0.55	0.37
1.78/ 70	0.92	1.24	1.21	1.51	1.51	2.05	2.00	2.92	<b>2.65</b>	<b>3.73</b>	3.51	5.60	5.53	8.43	8.27	13.26	1.21	-0.09	-0.64	0-0.64	0.44
2.03/ 80	1.06	1.42	1.39	1.73	1.73	2.35	2.30	3.34	<b>3.04</b>	<b>4.27</b>	4.03	6.41	6.34	9.65	9.50	15.20	1.39	-0.10	-0.73	0-0.73	0.50
2.29/ 90	1.20	1.60	1.57	1.95	1.96	2.64	2.59	3.77	<b>3.43</b>	<b>4.82</b>	4.54	7.22	7.15	10.87	10.72	17.13	1.57	-0.11	-0.82	0-0.82	0.56
2.54/100	1.34	1.79	1.75	2.17	2.18	2.94	2.89	4.19	<b>3.82</b>	<b>5.36</b>	5.05	8.03	7.96	12.09	11.95	19.07	1.75	-0.12	-0.91	0-0.91	0.62
3.05/120	1.62	2.16	2.10	2.62	2.63	3.54	3.47	5.04	<b>4.60</b>	<b>6.45</b>	6.08	9.65	9.58	14.54	14.40	22.94	2.11	-0.15	-1.10	0-1.10	0.75
3.81/150	2.04	2.71	2.64	3.28	3.29	4.44	4.36	6.31	<b>5.76</b>	<b>8.08</b>	7.62	12.08	12.00	18.21	18.08	28.75	2.65	-0.19	-1.37	0-1.37	0.93
5.08/200	2.74	3.63	3.54	4.39	4.41	5.93	5.82	8.43	<b>7.71</b>	<b>10.80</b>	10.19	16.14	16.05	24.32	24.20	38.44	3.55	-0.25	-1.83	0-1.83	1.25
6.35/250	3.44	4.55	4.43	5.50	5.52	7.43	7.29	10.55	<b>9.65</b>	<b>13.51</b>	12.75	20.19	20.10	30.44	30.33	48.12	—	-0.31	-2.28	0-2.28	—
7.62/300	4.14	5.47	5.33	6.61	6.64	8.93	8.76	12.67	<b>11.60</b>	<b>16.23</b>	15.32	24.25	24.14	36.55	36.45	57.81	—	-0.37	-2.74	0-2.74	—
8.89/350	4.84	6.39	6.23	7.72	7.76	10.42	10.23	14.79	<b>13.55</b>	<b>18.95</b>	17.89	28.30	28.19	42.67	42.58	67.49	—	-0.44	-3.20	0-3.20	—
10.16/400	5.54	7.31	7.12	8.83	8.87	11.92	11.70	16.91	<b>15.49</b>	<b>21.66</b>	20.46	32.35	32.24	48.78	48.71	77.18	—	-0.50	-3.65	0-3.65	—
12.70/500	6.93	9.15	8.91	11.05	11.10	14.91	14.64	21.15	<b>19.38</b>	<b>27.10</b>	25.59	40.46	40.33	61.01	60.96	96.55	—	-0.62	-4.57	0-4.57	—
15.24/600	8.33	10.99	10.71	13.27	13.33	17.90	17.58	25.39	<b>23.27</b>	<b>32.53</b>	30.72	48.57	48.42	73.24	73.21	115.91	—	-0.75	-5.48	0-5.48	—

Unit: feet

Screen size (diagonal)	Distance to screen (L)																		Height from the edge of screen to center of lens (H)		
	Zoom															Fixed-focus			Supplied lens ET-DLE085 105/150/250 350/450	ET-DLE060	ET-DLE055
	ET-DLE060 Zoom lens	ET-DLE085 Zoom lens	ET-DLE105 Zoom lens	ET-DLE150 Zoom lens	Supplied lens ET-DLE170 Zoom lens		ET-DLE250 Zoom lens	ET-DLE350 Zoom lens	ET-DLE450 Zoom lens	ET-DLE055 Fixed-focus lens											
	Throw ratio																				
0.600-0.802:1		0.783-0.977:1		0.979-1.32:1		1.30-1.89:1		1.72-2.41:1		2.27-3.62:1		3.58-5.45:1		5.36-8.58:1		0.786:1					
[m]	[in]	min.	max.	min.	max.	min.	max.	min.	max.	min.	max.	min.	max.	min.	max.	min.	max.				
1.27/ 50	2.1	2.8	2.8	3.5	3.5	4.8	4.6	6.8	<b>6.1</b>	<b>8.7</b>	8.2	13.0	12.8	19.6	19.1	30.8	2.8	-0.2	-1.5	0-1.5	1.0
1.52/ 60	2.6	3.5	3.4	4.2	4.2	5.7	5.6	8.2	<b>7.4</b>	<b>10.5</b>	9.8	15.7	15.5	23.6	23.1	37.1	3.4	-0.2	-1.8	0-1.8	1.2
1.78/ 70	3.0	4.1	4.0	5.0	5.0	6.7	6.6	9.6	<b>8.7</b>	<b>12.2</b>	11.5	18.4	18.1	27.6	27.1	43.5	4.0	-0.3	-2.1	0-2.1	1.4
2.03/ 80	3.5	4.7	4.5	5.7	5.7	7.7	7.5	11.0	<b>10.0</b>	<b>14.0</b>	13.2	21.0	20.8	31.7	31.2	49.9	4.6	-0.3	-2.4	0-2.4	1.6
2.29/ 90	3.9	5.3	5.1	6.4	6.4	8.7	8.5	12.4	<b>11.2</b>	<b>15.8</b>	14.9	23.7	23.5	35.7	35.2	56.2	5.2	-0.4	-2.7	0-2.7	1.8
2.54/100	4.4	5.9	5.7	7.1	7.2	9.6	9.5	13.7	<b>12.5</b>	<b>17.6</b>	16.6	26.3	26.1	39.7	39.2	62.6	5.7	-0.4	-3.0	0-3.0	2.0
3.05/120	5.3	7.1	6.9	8.6	8.6	11.6	11.4	16.5	<b>15.1</b>	<b>21.2</b>	19.9	31.7	31.4	47.7	47.2	75.3	6.9	-0.5	-3.6	0-3.6	2.5
3.81/150	6.7	8.9	8.7	10.8	10.8	14.6	14.3	20.7	<b>18.9</b>	<b>26.5</b>	25.0	39.6	39.4	59.7	59.3	94.3	8.7	-0.6	-4.5	0-4.5	3.1
5.08/200	9.0	11.9	11.6	14.4	14.5	19.5	19.1	27.7	<b>25.3</b>	<b>35.4</b>	33.4	52.9	52.7	79.8	79.4	126.1	11.7	-0.8	-6.0	0-6.0	4.1
6.35/250	11.3	14.9	14.5	18.1	18.1	24.4	23.9	34.6	<b>31.7</b>	<b>44.3</b>	41.8	66.2	65.9	99.9	99.5	157.9	—	-1.0	-7.5	0-7.5	—
7.62/300	13.6	17.9	17.5	21.7	21.8	29.3	28.8	41.6	<b>38.1</b>	<b>53.2</b>	50.3	79.5	79.2	119.9	119.6	189.7	—	-1.2	-9.0	0-9.0	—
8.89/350	15.9	21.0	20.4	25.3	25.5	34.2	33.6	48.5	<b>44.4</b>	<b>62.2</b>	58.7	92.8	92.5	140.0	139.7	221.4	—	-1.4	-10.5	0-10.5	—
10.16/400	18.2	24.0	23.4	29.0	29.1	39.1	38.4	55.5	<b>50.8</b>	<b>71.1</b>	67.1	106.1	105.8	160.0	159.8	253.2	—	-1.6	-12.0	0-12.0	—
12.70/500	22.7	30.0	29.2	36.2	36.4	48.9	48.0	69.4	<b>63.6</b>	<b>88.9</b>	84.0	132.8	132.3	200.2	200.0	316.8	—	-2.0	-15.0	0-15.0	—
15.24/600	27.3	36.0	35.1	43.5	43.7	58.7	57.7	83.3	<b>76.4</b>	<b>106.7</b>	100.8	159.4	158.9	240.3	240.2	380.3	—	-2.5	-18.0	0-18.0	—

- The value for L (distance to screen) varies slightly within ±5% depending on the zoom lens characteristics.
- The zoom lens characteristics may cause slight image distortion.
- When using keystone correction is used, the image is corrected in the direction that reduces its projected size.
- The brightness varies depending on the zoom setting.

Note: When the ET-DLE055 is mounted, the optical lens shift function cannot be used.



Projection distance for 4:3 aspect ratio screen (If using other than the ET-DLE035)

Unit: meters

Screen size (diagonal)	Distance to screen (L)										Height from the edge of screen to center of lens (H)		
	Zoom									Fixed-focus	Supplied lens ET-DLE085 105/150/250 350/450	ET-DLE060	ET-DLE055
	ET-DLE060 Zoom lens	ET-DLE085 Zoom lens	ET-DLE105 Zoom lens	ET-DLE150 Zoom lens	Supplied lens ET-DLE170 Zoom lens	ET-DLE250 Zoom lens	ET-DLE350 Zoom lens	ET-DLE450 Zoom lens	ET-DLE055 Fixed-focus lens				
	Throw ratio												
0.724-0.965:1	0.943-1.18:1	1.18-1.59:1	1.56-2.27:1	2.06-2.90:1	2.73-4.35:1	4.30-6.55:1	6.46-10.3:1	0.946:1					
[m] [in]	min. max.	min. max.	min. max.	min. max.	min. max.	min. max.	min. max.	min. max.	min. max.				
1.27/ 50	0.71 0.96	0.94 1.18	1.18 1.60	1.56 2.29	<b>2.07 2.92</b>	2.75 4.39	4.32 6.60	6.45 10.37	0.94	0-0.50	0.08-0.50	0.38	
1.52/ 60	0.87 1.16	1.14 1.42	1.42 1.93	1.89 2.75	<b>2.50 3.52</b>	3.31 5.28	5.21 7.95	7.80 12.50	1.14	0-0.60	0.09-0.60	0.46	
1.78/ 70	1.02 1.37	1.33 1.67	1.67 2.26	2.21 3.22	<b>2.93 4.12</b>	3.88 6.17	6.10 9.29	9.14 14.63	1.34	0-0.70	0.11-0.70	0.53	
2.03/ 80	1.18 1.57	1.53 1.91	1.91 2.59	2.54 3.69	<b>3.35 4.72</b>	4.44 7.07	7.00 10.64	10.49 16.77	1.54	0-0.80	0.12-0.80	0.61	
2.29/ 90	1.33 1.77	1.73 2.16	2.16 2.92	2.86 4.15	<b>3.78 5.31</b>	5.01 7.96	7.89 11.99	11.84 18.90	1.74	0-0.91	0.14-0.91	0.69	
2.54/100	1.48 1.97	1.93 2.40	2.41 3.25	3.18 4.62	<b>4.21 5.91</b>	5.57 8.85	8.78 13.34	13.19 21.03	1.93	0-1.01	0.15-1.01	0.76	
3.05/120	1.79 2.38	2.32 2.89	2.90 3.91	3.83 5.55	<b>5.07 7.11</b>	6.71 10.64	10.56 16.03	15.89 25.30	2.33	0-1.21	0.18-1.21	0.91	
3.81/150	2.25 2.99	2.91 3.62	3.63 4.89	4.80 6.96	<b>6.35 8.91</b>	8.40 13.32	13.24 20.07	19.94 31.70	2.93	0-1.51	0.23-1.51	1.14	
5.08/200	3.02 4.00	3.90 4.84	4.86 6.54	6.42 9.29	<b>8.50 11.90</b>	11.23 17.78	17.69 26.80	26.69 42.37	3.92	0-2.01	0.30-2.01	1.52	
6.35/250	3.79 5.01	4.89 6.07	6.09 8.19	8.04 11.63	<b>10.64 14.89</b>	14.06 22.25	22.15 33.54	33.44 53.04	—	0-2.51	0.38-2.51	—	
7.62/300	4.56 6.03	5.88 7.29	7.32 9.84	9.66 13.96	<b>12.78 17.88</b>	16.88 26.71	26.61 40.27	40.18 63.70	—	0-3.02	0.46-3.02	—	
8.89/350	5.33 7.04	6.86 8.51	8.55 11.48	11.28 16.30	<b>14.93 20.88</b>	19.71 31.18	31.06 47.01	46.93 74.37	—	0-3.52	0.53-3.52	—	
10.16/400	6.10 8.05	7.85 9.73	9.78 13.13	12.90 18.63	<b>17.07 23.87</b>	22.54 35.64	35.52 53.74	53.68 85.04	—	0-4.02	0.61-4.02	—	
12.70/500	7.64 10.08	9.82 12.17	12.23 16.42	16.13 23.30	<b>21.36 29.85</b>	28.19 44.58	44.43 67.21	67.17 106.37	—	0-5.03	0.76-5.03	—	
15.24/600	9.18 12.11	11.80 14.62	14.69 19.72	19.37 27.97	<b>25.64 35.84</b>	33.85 53.51	53.35 80.68	80.67 127.70	—	0-6.04	0.91-6.04	—	

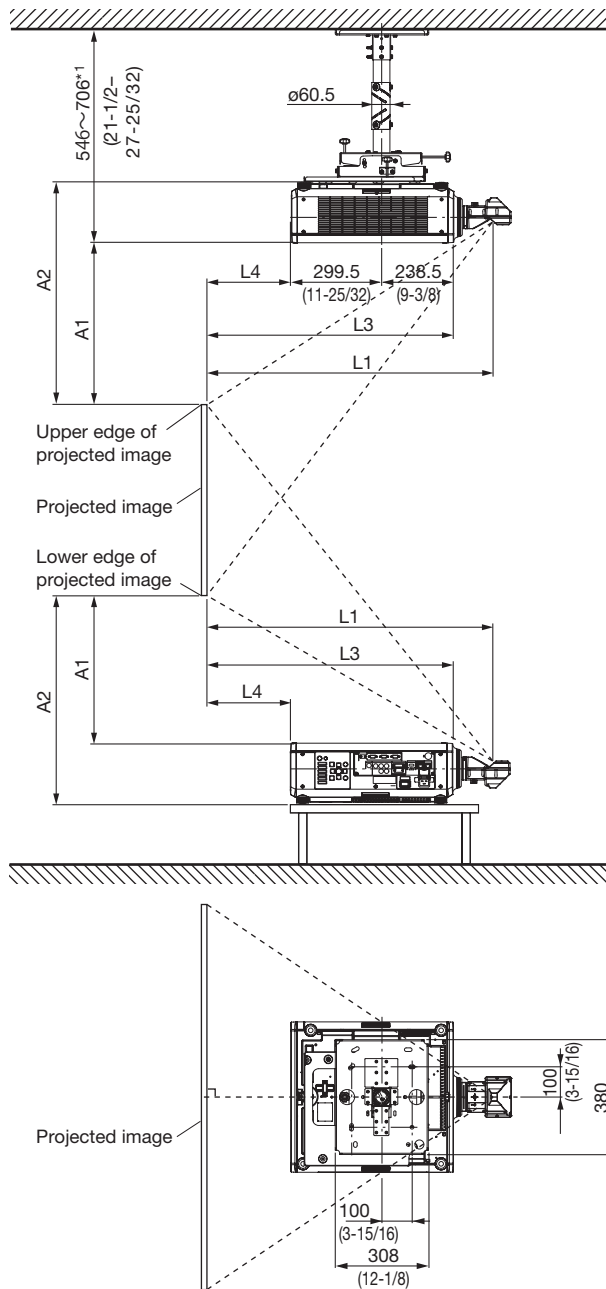
Unit: feet

Screen size (diagonal)	Distance to screen (L)										Height from the edge of screen to center of lens (H)		
	Zoom									Fixed-focus	Supplied lens ET-DLE085 105/150/250 350/450	ET-DLE060	ET-DLE055
	ET-DLE060 Zoom lens	ET-DLE085 Zoom lens	ET-DLE105 Zoom lens	ET-DLE150 Zoom lens	Supplied lens ET-DLE170 Zoom lens	ET-DLE250 Zoom lens	ET-DLE350 Zoom lens	ET-DLE450 Zoom lens	ET-DLE055 Fixed-focus lens				
	Throw ratio												
0.724-0.965:1	0.943-1.18:1	1.18-1.59:1	1.56-2.27:1	2.06-2.90:1	2.73-4.35:1	4.30-6.55:1	6.46-10.3:1	0.946:1					
[m] [in]	min. max.	min. max.	min. max.	min. max.	min. max.	min. max.	min. max.	min. max.	min. max.				
1.27/ 50	2.3 3.2	3.1 3.9	3.9 5.2	5.1 7.5	<b>6.8 9.6</b>	9.0 14.4	14.2 21.7	21.1 34.0	3.1	0-1.7	0.3-1.7	1.3	
1.52/ 60	2.9 3.8	3.7 4.7	4.7 6.3	6.2 9.0	<b>8.2 11.5</b>	10.9 17.3	17.1 26.1	25.6 41.0	3.7	0-2.0	0.3-2.0	1.5	
1.78/ 70	3.4 4.5	4.4 5.5	5.5 7.4	7.3 10.6	<b>9.6 13.5</b>	12.7 20.3	20.0 30.5	30.0 48.0	4.4	0-2.3	0.4-2.3	1.8	
2.03/ 80	3.9 5.1	5.0 6.3	6.3 8.5	8.3 12.1	<b>11.0 15.5</b>	14.6 23.2	23.0 34.9	34.4 55.0	5.0	0-2.6	0.4-2.6	2.0	
2.29/ 90	4.4 5.8	5.7 7.1	7.1 9.6	9.4 13.6	<b>12.4 17.4</b>	16.4 26.1	25.9 39.3	38.9 62.0	5.7	0-3.0	0.5-3.0	2.3	
2.54/100	4.9 6.5	6.3 7.9	7.9 10.7	10.4 15.2	<b>13.8 19.4</b>	18.3 29.0	28.8 43.8	43.3 69.0	6.3	0-3.3	0.5-3.3	2.5	
3.05/120	5.9 7.8	7.6 9.5	9.5 12.8	12.6 18.2	<b>16.6 23.3</b>	22.0 34.9	34.7 52.6	52.1 83.0	7.6	0-4.0	0.6-4.0	3.0	
3.81/150	7.4 9.8	9.6 11.9	11.9 16.1	15.8 22.8	<b>20.8 29.2</b>	27.6 43.7	43.4 65.8	65.4 104.0	9.6	0-5.0	0.8-5.0	3.8	
5.08/200	9.9 13.1	12.8 15.9	16.0 21.5	21.1 30.5	<b>27.9 39.0</b>	36.8 58.3	58.0 87.9	87.6 139.0	12.8	0-6.6	1.0-6.6	5.0	
6.35/250	12.4 16.5	16.0 19.9	20.0 26.9	26.4 38.1	<b>34.9 48.9</b>	46.1 73.0	72.7 110.0	109.7 174.0	—	0-8.3	1.3-8.3	—	
7.62/300	15.0 19.8	19.3 23.9	24.0 32.3	31.7 45.8	<b>41.9 58.7</b>	55.4 87.6	87.3 132.1	131.8 209.0	—	0-9.9	1.5-9.9	—	
8.89/350	17.5 23.1	22.5 27.9	28.0 37.7	37.0 53.5	<b>49.0 68.5</b>	64.7 102.3	101.9 154.2	154.0 244.0	—	0-11.6	1.8-11.6	—	
10.16/400	20.0 26.4	25.8 31.9	32.1 43.1	42.3 61.1	<b>56.0 78.3</b>	73.9 116.9	116.5 176.3	176.1 279.0	—	0-13.2	2.0-13.2	—	
12.70/500	25.1 33.1	32.2 39.9	40.1 53.9	52.9 76.5	<b>70.1 97.9</b>	92.5 146.2	145.8 220.5	220.4 349.0	—	0-16.5	2.5-16.5	—	
15.24/600	30.1 39.7	38.7 48.0	48.2 64.7	63.6 91.8	<b>84.1 117.6</b>	111.1 175.5	175.0 264.7	264.7 419.0	—	0-19.8	3.0-19.8	—	

- The value for L (distance to screen) varies slightly within ±5% depending on the zoom lens characteristics.
- The zoom lens characteristics may cause slight image distortion.
- When using keystone correction is used, the image is corrected in the direction that reduces its projected size.
- The brightness varies depending on the zoom setting.

Note: When the ET-DLE055 is mounted, the optical lens shift function cannot be used.

Standard setting-up position (If using the ET-DLE035)



NOTE:

Illustrations show the projector installed using optional ceiling mount bracket ET-PKD130H, optional bracket assembly ET-PKD130B and an optional lens. This illustration is not drawn to scale.

\*1 Continuous height adjustment possible.

unit : mm (inch)

NOTE:

Illustrations show the projector installed using optional ceiling mount bracket ET-PKD130H, optional bracket assembly ET-PKD130B and an optional lens. This illustration is not drawn to scale.

**Caution:**

- All construction work should be done by a qualified technician.
- When mounting to the ceiling, use the special mounting bracket. Furthermore, in order to prevent it from falling down from the ceiling, use the supplied wire on the mounting bracket.

Projection distance for 16:10 aspect ratio screen (If using the ET-DLE035)

Unit : meters

Ultra-short focal length lens ET-DLE035  
Close-up system dimensions

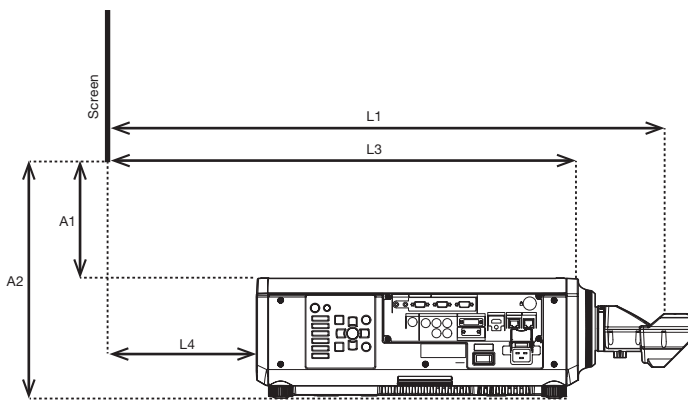
Throw ratio				0.380:1				
Diagonal image size (Inches)	Diagonal image size (m)	Height (SH)	Width (SW)	Projection distance (From mirror reflective surface to screen) (L1)	From front of set to screen (L3)	From rear of set to screen (L4)	From top of set to bottom edge of screen (A1)	From bottom of set to bottom edge of screen (A2)
100	2.54	1.35	2.15	0.82	0.65	0.11	0.43	0.63
120	3.05	1.62	2.59	0.98	0.82	0.28	0.53	0.73
150	3.81	2.02	3.23	1.23	1.06	0.52	0.68	0.88
200	5.08	2.69	4.31	1.63	1.47	0.93	0.93	1.13
250	6.35	3.37	5.39	2.04	1.87	1.34	1.18	1.38
300	7.62	4.04	6.46	2.45	2.28	1.74	1.43	1.63
350	8.89	4.71	7.54	2.85	2.69	2.15	1.69	1.89

Unit : feet

Ultra-short focal length lens ET-DLE035  
Close-up system dimensions

Throw ratio				0.380:1				
Diagonal image size (Inches)	Diagonal image size (m)	Height (SH)	Width (SW)	Projection distance (From mirror reflective surface to screen) (L1)	From front of set to screen (L3)	From rear of set to screen (L4)	From top of set to bottom edge of screen (A1)	From bottom of set to bottom edge of screen (A2)
100	2.54	4.4	7.1	2.7	2.1	0.4	1.4	2.1
120	3.05	5.3	8.5	3.2	2.7	0.9	1.7	2.4
150	3.81	6.6	10.6	4.0	3.5	1.7	2.2	2.9
200	5.08	8.8	14.1	5.4	4.8	3.0	3.1	3.7
250	6.35	11.0	17.7	6.7	6.1	4.4	3.9	4.5
300	7.62	13.3	21.2	8.0	7.5	5.7	4.7	5.4
350	8.89	15.5	24.7	9.4	8.8	7.1	5.5	6.2

- \* The value for L1 may contain an error of within ±5%.
- \* When using keystone correction, the images will be corrected so that they will tend to be smaller than the specified screen size.
- \* This measurement is not the distance between the rear of the projector and the wall, but is instead the distance between the rear of the projector and the screen surface. Leave at least 500 mm of space between the rear of the projector and the wall and any other objects in order to provide adequate ventilation space. If setting up the projector in a closed room, be sure to provide separate air conditioning and ventilation equipment. If there is insufficient ventilation in the room, radiated heat may build up and cause the protection circuit of the projector to operate.



- L1: Projection distance (from screen to mirror reflective surface)
- L3: From screen to front of set
- L4: From screen to rear of set
- A1: From bottom edge of screen to top of set
- A2: From bottom edge of screen to bottom of set

Projection Distance Calculation Table

Screen aspect ratio 16:10

Projection distance calculation formula

$$L1 (m) = 0.3205 \times \text{Diagonal image size} + 0.0047$$

Calculation formula for distance from top of set to bottom edge of screen

$$A1 (m) = 0.1977 \times \text{Diagonal image size} - 0.07210$$

Projection distance for 16:9 aspect ratio screen (If using the ET-DLE035)

Unit : meters

Ultra-short focal length lens ET-DLE035  
Close-up system dimensions

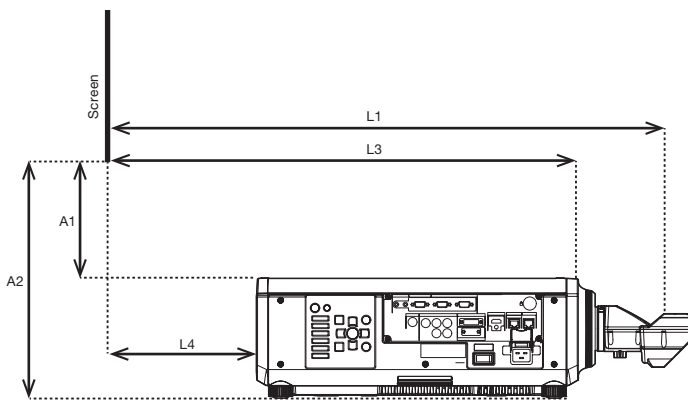
Throw ratio				0.380:1				
Diagonal image size (Inches)	Diagonal image size (m)	Height (SH)	Width (SW)	Projection distance (From mirror reflective surface to screen) (L1)	From front of set to screen (L3)	From rear of set to screen (L4)	From top of set to bottom edge of screen (A1)	From bottom of set to bottom edge of screen (A2)
100	2.54	1.25	2.21	0.84	0.68	0.14	0.51	0.71
120	3.05	1.49	2.66	1.01	0.84	0.30	0.63	0.83
150	3.81	1.87	3.32	1.26	1.09	0.56	0.81	1.01
200	5.08	2.49	4.43	1.68	1.51	0.97	1.10	1.30
250	6.35	3.11	5.54	2.10	1.93	1.39	1.39	1.59
300	7.62	3.74	6.64	2.51	2.35	1.81	1.68	1.88
350	8.89	4.36	7.75	2.93	2.77	2.23	1.98	2.18

Unit : feet

Ultra-short focal length lens ET-DLE035  
Close-up system dimensions

Throw ratio				0.380:1				
Diagonal image size (Inches)	Diagonal image size (m)	Height (SH)	Width (SW)	Projection distance (From mirror reflective surface to screen) (L1)	From front of set to screen (L3)	From rear of set to screen (L4)	From top of set to bottom edge of screen (A1)	From bottom of set to bottom edge of screen (A2)
100	2.54	4.1	7.3	2.8	2.2	0.4	1.7	2.3
120	3.05	4.9	8.7	3.3	2.8	1.0	2.1	2.7
150	3.81	6.1	10.9	4.1	3.6	1.8	2.6	3.3
200	5.08	8.2	14.5	5.5	5.0	3.2	3.6	4.3
250	6.35	10.2	18.2	6.9	6.3	4.6	4.6	5.2
300	7.62	12.3	21.8	8.2	7.7	5.9	5.5	6.2
350	8.89	14.3	25.4	9.6	9.1	7.3	6.5	7.1

- \* The value for L1 may contain an error of within ±5%.
- \* When using keystone correction, the images will be corrected so that they will tend to be smaller than the specified screen size.
- \* This measurement is not the distance between the rear of the projector and the wall, but is instead the distance between the rear of the projector and the screen surface. Leave at least 500 mm of space between the rear of the projector and the wall and any other objects in order to provide adequate ventilation space. If setting up the projector in a closed room, be sure to provide separate air conditioning and ventilation equipment. If there is insufficient ventilation in the room, radiated heat may build up and cause the protection circuit of the projector to operate.



- L1: Projection distance (from screen to mirror reflective surface)
- L3: From screen to front of set
- L4: From screen to rear of set
- A1: From bottom edge of screen to top of set
- A2: From bottom edge of screen to bottom of set

Projection Distance Calculation Table

Screen aspect ratio 16:9

Projection distance calculation formula

$$L1 (m) = 0.3294 \times \text{Diagonal image size} + 0.0047$$

Calculation formula for distance from top of set to bottom edge of screen

$$A1 (m) = 0.2304 \times \text{Diagonal image size} - 0.07210$$

Projection distance for 4:3 aspect ratio screen (If using the ET-DLE035)

Unit : meters

Ultra-short focal length lens ET-DLE035  
Close-up system dimensions

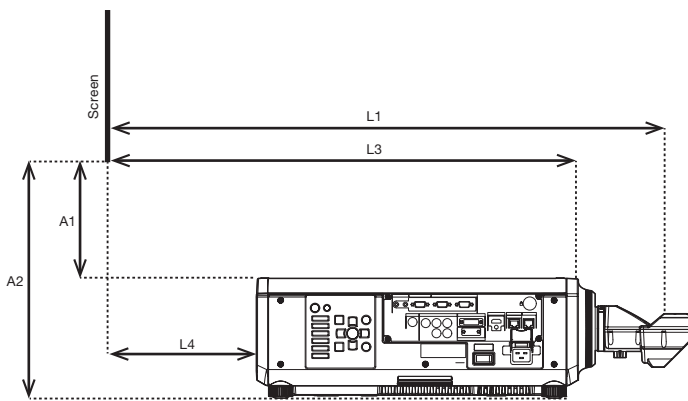
Throw ratio				0.456:1				
Diagonal image size (Inches)	Diagonal image size (m)	Height (SH)	Width (SW)	Projection distance (From mirror reflective surface to screen) (L1)	From front of set to screen (L3)	From rear of set to screen (L4)	From top of set to bottom edge of screen (A1)	From bottom of set to bottom edge of screen (A2)
100	2.54	1.52	2.03	0.93	0.76	0.22	0.50	0.70
120	3.05	1.83	2.44	1.11	0.94	0.41	0.61	0.81
150	3.81	2.29	3.05	1.39	1.22	0.68	0.78	0.98
200	5.08	3.05	4.06	1.85	1.68	1.14	1.06	1.27
250	6.35	3.81	5.08	2.31	2.14	1.60	1.35	1.55
300	7.62	4.57	6.10	2.77	2.60	2.07	1.63	1.83
350	8.89	5.33	7.11	3.23	3.06	2.53	1.92	2.12

Unit : feet

Ultra-short focal length lens ET-DLE035  
Close-up system dimensions

Throw ratio				0.456:1				
Diagonal image size (Inches)	Diagonal image size (m)	Height (SH)	Width (SW)	Projection distance (From mirror reflective surface to screen) (L1)	From front of set to screen (L3)	From rear of set to screen (L4)	From top of set to bottom edge of screen (A1)	From bottom of set to bottom edge of screen (A2)
100	2.54	5.0	6.7	3.0	2.5	0.7	1.6	2.3
120	3.05	6.0	8.0	3.6	3.1	1.3	2.0	2.7
150	3.81	7.5	10.0	4.6	4.0	2.2	2.6	3.2
200	5.08	10.0	13.3	6.1	5.5	3.8	3.5	4.2
250	6.35	12.5	16.7	7.6	7.0	5.3	4.4	5.1
300	7.62	15.0	20.0	9.1	8.5	6.8	5.4	6.0
350	8.89	17.5	23.3	10.6	10.1	8.3	6.3	6.9

- \* The value for L1 may contain an error of within ±5%.
- \* When using vertical keystone correction, the images will be corrected so that they will tend to be smaller than the specified screen size.
- \* This measurement is not the distance between the rear of the projector and the wall, but is instead the distance between the rear of the projector and the screen surface. Leave at least 500 mm of space between the rear of the projector and the wall and any other objects in order to provide adequate ventilation space. If setting up the projector in a closed room, be sure to provide separate air conditioning and ventilation equipment. If there is insufficient ventilation in the room, radiated heat may build up and cause the protection circuit of the projector to operate.



- L1: Projection distance (from screen to mirror reflective surface)
- L3: From screen to front of set
- L4: From screen to rear of set
- A1: From bottom edge of screen to top of set
- A2: From bottom edge of screen to bottom of set

Projection Distance Calculation Table

Screen aspect ratio 4:3

Projection distance calculation formula

$$L1 (m) = 0.3628 \times \text{Diagonal image size} + 0.0047$$

Calculation formula for distance from top of set to bottom edge of screen

$$A1 (m) = 0.2238 \times \text{Diagonal image size} - 0.07210$$

**Calculation of the projection distance**

For a screen size different from the above, use the equation below to calculate the projection distance.

**Aspect ratio 16:10**

ET-DLE060	minimum	$L (m) = (\text{diagonal screen size in inches}) \times 0.0136 - 0.0549$
	maximum	$L (m) = (\text{diagonal screen size in inches}) \times 0.0179 - 0.0518$
ET-DLE085	minimum	$L (m) = (\text{diagonal screen size in inches}) \times 0.0174 - 0.0471$
	maximum	$L (m) = (\text{diagonal screen size in inches}) \times 0.0216 - 0.0442$
ET-DLE105	minimum	$L (m) = (\text{diagonal screen size in inches}) \times 0.0217 - 0.0511$
	maximum	$L (m) = (\text{diagonal screen size in inches}) \times 0.0291 - 0.0472$
ET-DLE150	minimum	$L (m) = (\text{diagonal screen size in inches}) \times 0.0286 - 0.0540$
	maximum	$L (m) = (\text{diagonal screen size in inches}) \times 0.0413 - 0.0498$
Supplied lens/ ET-DLE170	minimum	$L (m) = (\text{diagonal screen size in inches}) \times 0.0379 - 0.0746$
	maximum	$L (m) = (\text{diagonal screen size in inches}) \times 0.0529 - 0.0725$
ET-DLE250	minimum	$L (m) = (\text{diagonal screen size in inches}) \times 0.0500 - 0.0800$
	maximum	$L (m) = (\text{diagonal screen size in inches}) \times 0.0789 - 0.0792$
ET-DLE350	minimum	$L (m) = (\text{diagonal screen size in inches}) \times 0.0787 - 0.1351$
	maximum	$L (m) = (\text{diagonal screen size in inches}) \times 0.1190 - 0.1346$
ET-DLE450	minimum	$L (m) = (\text{diagonal screen size in inches}) \times 0.1192 - 0.3017$
	maximum	$L (m) = (\text{diagonal screen size in inches}) \times 0.1885 - 0.2991$
ET-DLE035	(fixed focus)	$L1 (m) = (\text{diagonal screen size in inches}) \times 0.0081 - 0.0047$ $L3 (m) = L1 - 0.166$ $L4 (m) = L1 - 0.704$
ET-DLE055	(fixed focus)	$L (m) = (\text{diagonal screen size in inches}) \times 0.0175 - 0.0476$

**Aspect ratio 16:9**

ET-DLE060	minimum	$L (m) = (\text{diagonal screen size in inches}) \times 0.0140 - 0.0549$
	maximum	$L (m) = (\text{diagonal screen size in inches}) \times 0.0184 - 0.0518$
ET-DLE085	minimum	$L (m) = (\text{diagonal screen size in inches}) \times 0.0179 - 0.0471$
	maximum	$L (m) = (\text{diagonal screen size in inches}) \times 0.0222 - 0.0442$
ET-DLE105	minimum	$L (m) = (\text{diagonal screen size in inches}) \times 0.0223 - 0.0511$
	maximum	$L (m) = (\text{diagonal screen size in inches}) \times 0.0299 - 0.0472$
ET-DLE150	minimum	$L (m) = (\text{diagonal screen size in inches}) \times 0.0294 - 0.0540$
	maximum	$L (m) = (\text{diagonal screen size in inches}) \times 0.0424 - 0.0498$
Supplied lens/ ET-DLE170	minimum	$L (m) = (\text{diagonal screen size in inches}) \times 0.0389 - 0.0746$
	maximum	$L (m) = (\text{diagonal screen size in inches}) \times 0.0543 - 0.0725$
ET-DLE250	minimum	$L (m) = (\text{diagonal screen size in inches}) \times 0.0513 - 0.0800$
	maximum	$L (m) = (\text{diagonal screen size in inches}) \times 0.0811 - 0.0792$
ET-DLE350	minimum	$L (m) = (\text{diagonal screen size in inches}) \times 0.0809 - 0.1351$
	maximum	$L (m) = (\text{diagonal screen size in inches}) \times 0.1223 - 0.1346$
ET-DLE450	minimum	$L (m) = (\text{diagonal screen size in inches}) \times 0.1225 - 0.3017$
	maximum	$L (m) = (\text{diagonal screen size in inches}) \times 0.1937 - 0.2991$
ET-DLE035	(fixed focus)	$L1 (m) = (\text{diagonal screen size in inches}) \times 0.0084 - 0.0047$ $L3 (m) = L1 - 0.166$ $L4 (m) = L1 - 0.704$
ET-DLE055	(fixed focus)	$L (m) = (\text{diagonal screen size in inches}) \times 0.0180 - 0.0476$

**Aspect ratio 4:3**

ET-DLE060	minimum	$L (m) = (\text{diagonal screen size in inches}) \times 0.0154 - 0.0549$
	maximum	$L (m) = (\text{diagonal screen size in inches}) \times 0.0203 - 0.0518$
ET-DLE085	minimum	$L (m) = (\text{diagonal screen size in inches}) \times 0.0197 - 0.0471$
	maximum	$L (m) = (\text{diagonal screen size in inches}) \times 0.0244 - 0.0442$
ET-DLE105	minimum	$L (m) = (\text{diagonal screen size in inches}) \times 0.0246 - 0.0511$
	maximum	$L (m) = (\text{diagonal screen size in inches}) \times 0.0329 - 0.0472$
ET-DLE150	minimum	$L (m) = (\text{diagonal screen size in inches}) \times 0.0324 - 0.0540$
	maximum	$L (m) = (\text{diagonal screen size in inches}) \times 0.0467 - 0.0498$
Supplied lens/ ET-DLE170	minimum	$L (m) = (\text{diagonal screen size in inches}) \times 0.0429 - 0.0746$
	maximum	$L (m) = (\text{diagonal screen size in inches}) \times 0.0599 - 0.0725$
ET-DLE250	minimum	$L (m) = (\text{diagonal screen size in inches}) \times 0.0565 - 0.0800$
	maximum	$L (m) = (\text{diagonal screen size in inches}) \times 0.0893 - 0.0792$
ET-DLE350	minimum	$L (m) = (\text{diagonal screen size in inches}) \times 0.0891 - 0.1351$
	maximum	$L (m) = (\text{diagonal screen size in inches}) \times 0.1347 - 0.1346$
ET-DLE450	minimum	$L (m) = (\text{diagonal screen size in inches}) \times 0.1349 - 0.3017$
	maximum	$L (m) = (\text{diagonal screen size in inches}) \times 0.2133 - 0.2991$
ET-DLE035	(fixed focus)	$L1 (m) = (\text{diagonal screen size in inches}) \times 0.0092 - 0.0047$ $L3 (m) = L1 - 0.166$ $L4 (m) = L1 - 0.704$
ET-DLE055	(fixed focus)	$L (m) = (\text{diagonal screen size in inches}) \times 0.0198 - 0.0476$

• Distances calculated with the above equations will include a slight error.

**Formula for calculating possible heights when using the ET-DLE035**

If using a screen size which has not been previously mentioned, use the following calculation formulas to obtain the possible setting-up height.

For screen aspect ratio of 16:10    Possible setting-up height A1 (mm) = Projection screen size (inches) x 5.0-72.1  
 Possible setting-up height A2 (mm) = A1 + 200

For screen aspect ratio of 16:9    Possible setting-up height A1 (mm) = Projection screen size (inches) x 5.9-72.1  
 Possible setting-up height A2 (mm) = A1 + 200

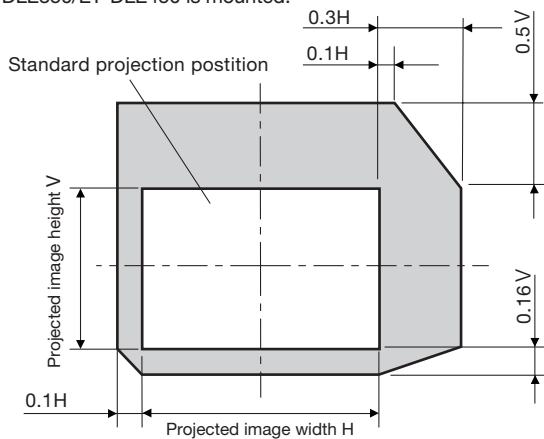
For screen aspect ratio of 4:3    Possible setting-up height A1 (mm) = Projection screen size (inches) x 5.7-72.1  
 Possible setting-up height A2 (mm) = A1 + 200

\* There may be a small margin of error in the values obtained from the above formulas.

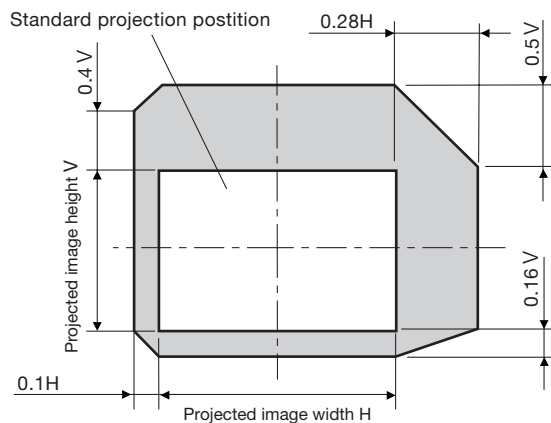
**Shift range**

Optical axis shift function allows to shift the position of a projected image as shown below.

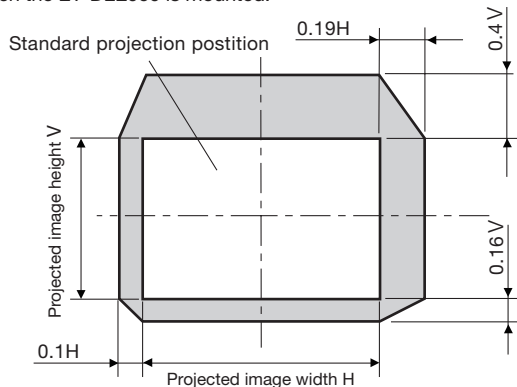
When ET-DLE170(Standard zoom lens)/ET-DLE150/ET-DLE250/  
 ET-DLE350/ET-DLE450 is mounted.



When the ET-DLE085 and ET-DLE105 is mounted.



When the ET-DLE060 is mounted.

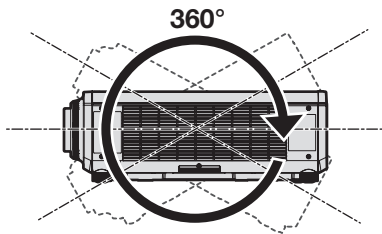


• The ET-DLE055 has a fixed short-focus lens. Therefore, the lens shift function provided in the main unit cannot be used.

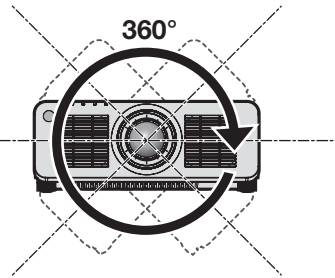
**Installable angle**

Install the projector at an angle within the range shown below.

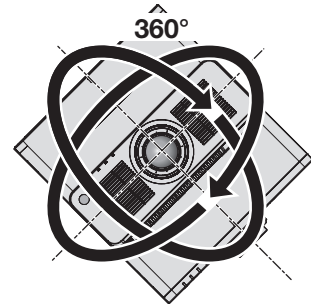
**FULL 360-degree projection**



**360° vertically**



**360° horizontally**



**360° tilted  
(combination of vertical and horizontal)**



**List of compatible signals**

The following table specifies the video signals compatible with the projector.  
This projector supports the signal with ✓ in the compatible signal column.

- The content of the compatible signal column is as follows.
  - RGB: RGB1 input, RGB2 input
  - DVI-D: DVI-D input
  - HDMI: HDMI input
  - DL: DIGITAL LINK input

Signal name (SIGNAL FORMAT)	Resolution (Dots)	Scanning freq.		Dot clock freq. (MHz)	Compatible signal			
		Horizontal (kHz)	Vertical (Hz)		RGB	DVI-D	HDMI	DL
480/60i	720 x 480i	15.7	59.9	13.5	✓	—	—	—
576/50i	720 x 576i	15.6	50.0	13.5	✓	—	—	—
480/60i	720(1440) x 480i*1	15.7	59.9	27.0	—	✓	✓	✓
576/50i	720(1440) x 576i*1	15.6	50.0	27.0	—	✓	✓	✓
480/60p	720 x 480	31.5	59.9	27.0	✓	✓	✓	✓
576/50p	720 x 576	31.3	50.0	27.0	✓	✓	✓	✓
720/60p	1280 x 720	45.0	60.0*2	74.3	✓	✓	✓	✓
720/50p	1280 x 720	37.5	50.0	74.3	✓	✓	✓	✓
1080/60i	1920 x 1080i	33.8	60.0*2	74.3	✓	✓	✓	✓
1080/50i	1920 x 1080i	28.1	50.0	74.3	✓	✓	✓	✓
1080/24p	1920 x 1080	27.0	24.0*2	74.3	✓	✓	✓	✓
1080/24sF	1920 x 1080i	27.0	48.0*2	74.3	✓	✓	✓	✓
1080/25p	1920 x 1080	28.1	25.0	74.3	✓	✓	✓	✓
1080/30p	1920 x 1080	33.8	30.0*2	74.3	✓	✓	✓	✓
1080/60p	1920 x 1080	67.5	60.0*2	148.5	✓	✓	✓	✓
1080/50p	1920 x 1080	56.3	50.0	148.5	✓	✓	✓	✓
3840 x 2160/24p	3840 x 2160	54.0	24.0*2	297.0	—	—	✓	✓
3840 x 2160/25p	3840 x 2160	56.3	25.0	297.0	—	—	✓	✓
3840 x 2160/30p	3840 x 2160	67.5	30.0*2	297.0	—	—	✓	✓
3840 x 2160/60p	3840 x 2160	135.0	60.0*2	297.0	—	—	✓*3	✓*3
	3840 x 2160	135.0	60.0*2	594.0	—	—	✓	—
3840 x 2160/50p	3840 x 2160	112.5	50.0	297.0	—	—	✓*3	✓*3
	3840 x 2160	112.5	50.0	594.0	—	—	✓	—
4096 x 2160/24p	4096 x 2160	54.0	24.0*2	297.0	—	—	✓	✓
4096 x 2160/25p	4096 x 2160	56.3	25.0	297.0	—	—	✓	✓
4096 x 2160/30p	4096 x 2160	67.5	30.0*2	297.0	—	—	✓	✓
4096 x 2160/60p	4096 x 2160	135.0	60.0*2	297.0	—	—	✓*3	✓*3
	4096 x 2160	135.0	60.0*2	594.0	—	—	✓	—
4096 x 2160/50p	4096 x 2160	112.5	50.0	297.0	—	—	✓*3	✓*3
	4096 x 2160	112.5	50.0	594.0	—	—	✓	—
640 x 400/70	640 x 400	31.5	70.1	25.2	✓	✓	✓	✓
640 x 400/85	640 x 400	37.9	85.1	31.5	✓	✓	✓	✓
640 x 480/60	640 x 480	31.5	59.9	25.2	✓	✓	✓	✓
640 x 480/67	640 x 480	35.0	66.7	30.2	✓	✓	✓	✓
640 x 480/73	640 x 480	37.9	72.8	31.5	✓	✓	✓	✓
640 x 480/75	640 x 480	37.5	75.0	31.5	✓	✓	✓	✓
640 x 480/85	640 x 480	43.3	85.0	36.0	✓	✓	✓	✓
800 x 600/56	800 x 600	35.2	56.3	36.0	✓	✓	✓	✓
800 x 600/60	800 x 600	37.9	60.3	40.0	✓	✓	✓	✓
800 x 600/72	800 x 600	48.1	72.2	50.0	✓	✓	✓	✓
800 x 600/75	800 x 600	46.9	75.0	49.5	✓	✓	✓	✓
800 x 600/85	800 x 600	53.7	85.1	56.3	✓	✓	✓	✓
832 x 624/75	832 x 624	49.7	74.6	57.3	✓	✓	✓	✓
1024 x 768/50	1024 x 768	39.6	50.0	51.9	✓	✓	✓	✓
1024 x 768/60	1024 x 768	48.4	60.0	65.0	✓	✓	✓	✓
1024 x 768/70	1024 x 768	56.5	70.1	75.0	✓	✓	✓	✓
1024 x 768/75	1024 x 768	60.0	75.0	78.8	✓	✓	✓	✓
1024 x 768/82	1024 x 768	65.5	81.6	86.0	✓	✓	✓	✓
1024 x 768/85	1024 x 768	68.7	85.0	94.5	✓	✓	✓	✓
1024 x 768/100	1024 x 768	81.4	100.0	113.3	✓	✓	✓	✓
1024 x 768/120	1024 x 768	98.8	120.0	139.1	✓	✓	✓	✓

Signal name (SIGNAL FORMAT)	Resolution (Dots)	Scanning freq.		Dot clock freq. (MHz)	Compatible signal			
		Horizontal (kHz)	Vertical (Hz)		RGB	DVI-D	HDMI	DL
1152 x 864/60	1152 x 864	53.7	60.0	81.6	✓	✓	✓	✓
1152 x 864/70	1152 x 864	64.0	70.0	94.2	✓	✓	✓	✓
1152 x 864/75	1152 x 864	67.5	75.0	108.0	✓	✓	✓	✓
1152 x 864/85	1152 x 864	77.1	85.0	119.7	✓	✓	✓	✓
1152 x 870/75	1152 x 870	68.7	75.1	100.0	✓	✓	✓	✓
1280 x 720/50	1280 x 720	37.1	49.8	60.5	✓	✓	✓	✓
1280 x 720/60	1280 x 720	44.8	59.9	74.5	✓	✓	✓	✓
1280 x 720/100	1280 x 720	76.3	100.0	131.8	✓	✓	✓	✓
1280 x 720/120	1280 x 720	92.6	120.0	161.6	✓	✓	✓	✓
1280 x 768/50	1280 x 768	39.6	49.9	65.3	✓	✓	✓	✓
1280 x 768/60	1280 x 768	47.8	59.9	79.5	✓	✓	✓	✓
	1280 x 768*4	47.4	60.0	68.3	✓	✓	✓	✓
1280 x 768/75	1280 x 768	60.3	74.9	102.3	✓	✓	✓	✓
1280 x 768/85	1280 x 768	68.6	84.8	117.5	✓	✓	✓	✓
1280 x 800/50	1280 x 800	41.3	50.0	68.0	✓	✓	✓	✓
1280 x 800/60	1280 x 800	49.7	59.8	83.5	✓	✓	✓	✓
	1280 x 800*4	49.3	59.9	71.0	✓	✓	✓	✓
1280 x 800/75	1280 x 800	62.8	74.9	106.5	✓	✓	✓	✓
1280 x 800/85	1280 x 800	71.6	84.9	122.5	✓	✓	✓	✓
1280 x 960/60	1280 x 960	60.0	60.0	108.0	✓	✓	✓	✓
1280 x 1024/50	1280 x 1024	52.4	50.0	88.0	✓	✓	✓	✓
1280 x 1024/60	1280 x 1024	64.0	60.0	108.0	✓	✓	✓	✓
1280 x 1024/66	1280 x 1024	72.3	66.3	125.0	✓	✓	✓	✓
1280 x 1024/72	1280 x 1024	78.2	72.0	135.1	✓	✓	✓	✓
1280 x 1024/75	1280 x 1024	80.0	75.0	135.0	✓	✓	✓	✓
1280 x 1024/85	1280 x 1024	91.1	85.0	157.5	✓	✓	✓	✓
1366 x 768/50	1366 x 768	39.6	49.9	69.0	✓	✓	✓	✓
1366 x 768/60	1366 x 768	47.7	59.8	85.5	✓	✓	✓	✓
1400 x 1050/50	1400 x 1050	54.1	50.0	99.9	✓	✓	✓	✓
	1400 x 1050	64.0	60.0	108.0	✓	✓	✓	✓
	1400 x 1050/60	1400 x 1050	65.3	60.0	121.8	✓	✓	✓
1400 x 1050/60	1400 x 1050	65.2	60.0	122.6	✓	✓	✓	✓
	1400 x 1050/72	1400 x 1050	78.8	72.0	149.3	✓	✓	✓
1400 x 1050/75	1400 x 1050	82.2	75.0	155.9	✓	✓	✓	✓
1440 x 900/50	1440 x 900	46.3	49.9	86.8	✓	✓	✓	✓
1440 x 900/60	1440 x 900	55.9	59.9	106.5	✓	✓	✓	✓
1600 x 900/50	1600 x 900	46.4	49.9	96.5	✓	✓	✓	✓
1600 x 900/60	1600 x 900	55.9	60.0	119.0	✓	✓	✓	✓
1600 x 1200/50	1600 x 1200	61.8	49.9	131.5	✓	✓	✓	✓
1600 x 1200/60	1600 x 1200	75.0	60.0	162.0	✓	✓	✓	✓
1680 x 1050/50	1680 x 1050	54.1	50.0	119.5	✓	✓	✓	✓
1680 x 1050/60	1680 x 1050	65.3	60.0	146.3	✓	✓	✓	✓
1920 x 1080/50	1920 x 1080	55.6	49.9	141.5	✓	✓	✓	✓
1920 x 1080/60	1920 x 1080*4	66.6	59.9	138.5	✓	✓	✓	✓
	1920 x 1080*5	67.2	60.0	173.0	✓	—	—	—
1920 x 1200/50	1920 x 1200	61.8	49.9	158.3	✓	✓	✓	✓
1920 x 1200/60	1920 x 1200*5	74.6	59.9	193.3	✓	—	—	—
1920 x 1200/60RB	1920 x 1200*4	74.0	60.0	154.0	✓	✓	✓	✓

\*1 Pixel-Repetition signal (dot clock frequency 27.0 MHz) only  
 \*2 The signal with 1/1.001x vertical scanning frequency is also supported.  
 \*3 YPBPR 4:2:0 format only  
 \*4 VESA CVT-RB (Reduced Blanking)-compliant  
 \*5 Samples the pixels in the image processing circuit and projects the image.

NOTE:  
 • A signal with a different resolution is converted to the number of display dots. The number of display dots is 1920 x 1200.  
 • The “i” at the end of the resolution indicates an interlaced signal.  
 • When interlaced signals are connected, flickering may occur on the projected image.

**List of plug and play compatible signals**

Signal with ✓ in the plug and play compatible signal column is the signal described in the EDID (extended display identification data) of the projector. For the signal without ✓ in the plug and play compatible signal column, the resolution may not be selected on the computer even if the projector is supporting it.

• Input corresponding to each item in the plug and play signal column is as follows.

- RGB2: RGB2 input
- DVI-D: DVI-D input
- HDMI: HDMI input
- DIGITAL LINK: DIGITAL LINK input

Signal name (SIGNAL FORMAT)	Resolution (Dots)	Scanning freq.		Dot clock freq. (MHz)	Plug and play compatible signal									
		Horizontal (kHz)	Vertical (Hz)		RGB2	DVI-D			HDMI		DIGITAL LINK			
						EDID1	EDID2	EDID3	4K/60p	4K/30p	2K	4K/60p	4K/30p	2K
480/60i	720 x 480i	15.7	59.9	13.5	—	—	—	—	—	—	—	—	—	—
576/50i	720 x 576i	15.6	50.0	13.5	—	—	—	—	—	—	—	—	—	—
480/60i	720(1440) x 480i*1	15.7	59.9	27.0	—	—	—	—	—	—	—	—	—	—
576/50i	720(1440) x 576i*1	15.6	50.0	27.0	—	—	—	—	—	—	—	—	—	—
480/60p	720 x 480	31.5	59.9	27.0	—	✓	—	✓	✓	✓	✓	✓	✓	✓
576/50p	720 x 576	31.3	50.0	27.0	—	✓	—	✓	✓	✓	✓	✓	✓	✓
720/60p	1280 x 720	45.0	60.0*2	74.3	—	✓	—	✓	✓	✓	✓	✓	✓	✓
720/50p	1280 x 720	37.5	50.0	74.3	—	✓	—	✓	✓	✓	✓	✓	✓	✓
1080/60i	1920 x 1080i	33.8	60.0*2	74.3	—	✓	—	✓	✓	✓	✓	✓	✓	✓
1080/50i	1920 x 1080i	28.1	50.0	74.3	—	✓	—	✓	✓	✓	✓	✓	✓	✓
1080/24p	1920 x 1080	27.0	24.0*2	74.3	—	✓	—	✓	✓	✓	✓	✓	✓	✓
1080/24sF	1920 x 1080i	27.0	48.0*2	74.3	—	—	—	—	—	—	—	—	—	—
1080/25p	1920 x 1080	28.1	25.0	74.3	—	✓	—	✓	✓	✓	✓	✓	✓	✓
1080/30p	1920 x 1080	33.8	30.0*2	74.3	—	✓	—	✓	✓	✓	✓	✓	✓	✓
1080/60p	1920 x 1080	67.5	60.0*2	148.5	—	✓	—	✓	✓	✓	✓	✓	✓	✓
1080/50p	1920 x 1080	56.3	50.0	148.5	—	✓	—	✓	✓	✓	✓	✓	✓	✓
3840 x 2160/24p	3840 x 2160	54.0	24.0*2	297.0	—	—	—	—	✓	✓	—	✓	✓	—
3840 x 2160/25p	3840 x 2160	56.3	25.0	297.0	—	—	—	—	✓	✓	—	✓	✓	—
3840 x 2160/30p	3840 x 2160	67.5	30.0*2	297.0	—	—	—	—	✓	✓	—	✓	✓	—
3840 x 2160/60p	3840 x 2160	135.0	60.0*2	297.0	—	—	—	—	✓*3	—	—	✓*3	—	—
	3840 x 2160	135.0	60.0*2	594.0	—	—	—	—	✓	—	—	—	—	—
3840 x 2160/50p	3840 x 2160	112.5	50.0	297.0	—	—	—	—	✓*3	—	—	✓*3	—	—
	3840 x 2160	112.5	50.0	594.0	—	—	—	—	✓	—	—	—	—	—
4096 x 2160/24p	4096 x 2160	54.0	24.0*2	297.0	—	—	—	—	✓	✓	—	✓	✓	—
4096 x 2160/25p	4096 x 2160	56.3	25.0	297.0	—	—	—	—	✓	✓	—	✓	✓	—
4096 x 2160/30p	4096 x 2160	67.5	30.0*2	297.0	—	—	—	—	✓	✓	—	✓	✓	—
4096 x 2160/60p	4096 x 2160	135.0	60.0*2	297.0	—	—	—	—	✓*3	—	—	✓*3	—	—
	4096 x 2160	135.0	60.0*2	594.0	—	—	—	—	✓	—	—	—	—	—
4096 x 2160/50p	4096 x 2160	112.5	50.0	297.0	—	—	—	—	✓*3	—	—	✓*3	—	—
	4096 x 2160	112.5	50.0	594.0	—	—	—	—	✓	—	—	—	—	—
640 x 400/70	640 x 400	31.5	70.1	25.2	—	—	—	—	—	—	—	—	—	—
640 x 400/85	640 x 400	37.9	85.1	31.5	—	—	—	—	—	—	—	—	—	—
640 x 480/60	640 x 480	31.5	59.9	25.2	✓	✓	✓	✓	✓	✓	✓	✓	✓	✓
640 x 480/67	640 x 480	35.0	66.7	30.2	—	—	—	—	—	—	—	—	—	—
640 x 480/73	640 x 480	37.9	72.8	31.5	✓	—	✓	✓	✓	✓	✓	✓	✓	✓
640 x 480/75	640 x 480	37.5	75.0	31.5	✓	—	✓	✓	✓	✓	✓	✓	✓	✓
640 x 480/85	640 x 480	43.3	85.0	36.0	—	—	—	—	—	—	—	—	—	—
800 x 600/56	800 x 600	35.2	56.3	36.0	✓	—	✓	✓	✓	✓	✓	✓	✓	✓
800 x 600/60	800 x 600	37.9	60.3	40.0	✓	—	✓	✓	✓	✓	✓	✓	✓	✓
800 x 600/72	800 x 600	48.1	72.2	50.0	✓	—	✓	✓	✓	✓	✓	✓	✓	✓
800 x 600/75	800 x 600	46.9	75.0	49.5	✓	—	✓	✓	✓	✓	✓	✓	✓	✓
800 x 600/85	800 x 600	53.7	85.1	56.3	—	—	—	—	—	—	—	—	—	—
832 x 624/75	832 x 624	49.7	74.6	57.3	✓	—	✓	✓	✓	✓	✓	✓	✓	✓
1024 x 768/50	1024 x 768	39.6	50.0	51.9	—	—	—	—	—	—	—	—	—	—
1024 x 768/60	1024 x 768	48.4	60.0	65.0	✓	—	✓	✓	✓	✓	✓	✓	✓	✓
1024 x 768/70	1024 x 768	56.5	70.1	75.0	✓	—	✓	✓	✓	✓	✓	✓	✓	✓
1024 x 768/75	1024 x 768	60.0	75.0	78.8	✓	—	✓	✓	✓	✓	✓	✓	✓	✓
1024 x 768/82	1024 x 768	65.5	81.6	86.0	—	—	—	—	—	—	—	—	—	—
1024 x 768/85	1024 x 768	68.7	85.0	94.5	—	—	—	—	—	—	—	—	—	—
1024 x 768/100	1024 x 768	81.4	100.0	113.3	—	—	—	—	—	—	—	—	—	—

Signal name (SIGNAL FORMAT)	Resolution (Dots)	Scanning freq.		Dot clock freq. (MHz)	Plug and play compatible signal									
		Horizontal (kHz)	Vertical (Hz)		RGB2	DVI-D			HDMI		DIGITAL LINK			
						EDID1	EDID2	EDID3	4K/60p	4K/30p	2K	4K/60p	4K/30p	2K
1024 x 768/120	1024 x 768	98.8	120.0	139.1	✓	—	✓	✓	✓	✓	✓	✓	✓	✓
1152 x 864/60	1152 x 864	53.7	60.0	81.6	—	—	—	—	—	—	—	—	—	—
1152 x 864/70	1152 x 864	64.0	70.0	94.2	—	—	—	—	—	—	—	—	—	—
1152 x 864/75	1152 x 864	67.5	75.0	108.0	—	—	—	—	—	—	—	—	—	—
1152 x 864/85	1152 x 864	77.1	85.0	119.7	—	—	—	—	—	—	—	—	—	—
1152 x 870/75	1152 x 870	68.7	75.1	100.0	✓	—	✓	✓	✓	✓	✓	✓	✓	✓
1280 x 720/50	1280 x 720	37.1	49.8	60.5	—	—	—	—	—	—	—	—	—	—
1280 x 720/60	1280 x 720	44.8	59.9	74.5	—	—	—	—	—	—	—	—	—	—
1280 x 720/100	1280 x 720	76.3	100.0	131.8	—	—	—	—	—	—	—	—	—	—
1280 x 720/120	1280 x 720	92.6	120.0	161.6	—	—	—	—	—	—	—	—	—	—
1280 x 768/50	1280 x 768	39.6	49.9	65.3	—	—	—	—	—	—	—	—	—	—
1280 x 768/60	1280 x 768	47.8	59.9	79.5	—	—	—	—	—	—	—	—	—	—
	1280 x 768*4	47.4	60.0	68.3	—	—	—	—	—	—	—	—	—	—
1280 x 768/75	1280 x 768	60.3	74.9	102.3	—	—	—	—	—	—	—	—	—	—
1280 x 768/85	1280 x 768	68.6	84.8	117.5	—	—	—	—	—	—	—	—	—	—
1280 x 800/50	1280 x 800	41.3	50.0	68.0	—	—	—	—	—	—	—	—	—	—
1280 x 800/60	1280 x 800	49.7	59.8	83.5	—	—	—	—	—	—	—	—	—	—
	1280 x 800*4	49.3	59.9	71.0	—	—	—	—	—	—	—	—	—	—
1280 x 800/75	1280 x 800	62.8	74.9	106.5	—	—	—	—	—	—	—	—	—	—
1280 x 800/85	1280 x 800	71.6	84.9	122.5	—	—	—	—	—	—	—	—	—	—
1280 x 960/60	1280 x 960	60.0	60.0	108.0	—	—	—	—	—	—	—	—	—	—
1280 x 1024/50	1280 x 1024	52.4	50.0	88.0	—	—	—	—	—	—	—	—	—	—
1280 x 1024/60	1280 x 1024	64.0	60.0	108.0	—	—	—	—	—	—	—	—	—	—
1280 x 1024/66	1280 x 1024	72.3	66.3	125.0	—	—	—	—	—	—	—	—	—	—
1280 x 1024/72	1280 x 1024	78.2	72.0	135.1	—	—	—	—	—	—	—	—	—	—
1280 x 1024/75	1280 x 1024	80.0	75.0	135.0	✓	—	✓	✓	✓	✓	✓	✓	✓	✓
1280 x 1024/85	1280 x 1024	91.1	85.0	157.5	—	—	—	—	—	—	—	—	—	—
1366 x 768/50	1366 x 768	39.6	49.9	69.0	—	—	—	—	—	—	—	—	—	—
1366 x 768/60	1366 x 768	47.7	59.8	85.5	—	—	—	—	—	—	—	—	—	—
1400 x 1050/50	1400 x 1050	54.1	50.0	99.9	—	—	—	—	—	—	—	—	—	—
1400 x 1050/60	1400 x 1050	64.0	60.0	108.0	—	—	—	—	—	—	—	—	—	—
	1400 x 1050	65.3	60.0	121.8	—	—	—	—	—	—	—	—	—	—
	1400 x 1050	65.2	60.0	122.6	✓	—	✓	✓	✓	✓	✓	✓	✓	✓
1400 x 1050/72	1400 x 1050	78.8	72.0	149.3	—	—	—	—	—	—	—	—	—	—
1400 x 1050/75	1400 x 1050	82.2	75.0	155.9	—	—	—	—	—	—	—	—	—	—
1440 x 900/50	1440 x 900	46.3	49.9	86.8	—	—	—	—	—	—	—	—	—	—
1440 x 900/60	1440 x 900	55.9	59.9	106.5	—	—	—	—	—	—	—	—	—	—
1600 x 900/50	1600 x 900	46.4	49.9	96.5	—	—	—	—	—	—	—	—	—	—
1600 x 900/60	1600 x 900	55.9	60.0	119.0	✓	—	✓	✓	✓	✓	✓	✓	✓	✓
1600 x 1200/50	1600 x 1200	61.8	49.9	131.5	—	—	—	—	—	—	—	—	—	—
1600 x 1200/60	1600 x 1200	75.0	60.0	162.0	✓	—	✓	✓	✓	✓	✓	✓	✓	✓
1680 x 1050/50	1680 x 1050	54.1	50.0	119.5	—	—	—	—	—	—	—	—	—	—
1680 x 1050/60	1680 x 1050	65.3	60.0	146.3	—	—	—	—	—	—	—	—	—	—
1920 x 1080/50	1920 x 1080	55.6	49.9	141.5	—	—	—	—	—	—	—	—	—	—
1920 x 1080/60	1920 x 1080*4	66.6	59.9	138.5	—	—	—	—	—	—	—	—	—	—
	1920 x 1080*5	67.2	60.0	173.0	—	—	—	—	—	—	—	—	—	—
1920 x 1200/50	1920 x 1200	61.8	49.9	158.3	—	—	—	—	—	—	—	—	—	—
1920 x 1200/60	1920 x 1200*5	74.6	59.9	193.3	—	—	—	—	—	—	—	—	—	—
1920 x 1200/60RB	1920 x 1200*4	74.0	60.0	154.0	✓	—	✓	✓	✓	✓	✓	✓	✓	✓

\*1 Pixel-Repetition signal (dot clock frequency 27.0 MHz) only  
 \*2 The signal with 1/1.001x vertical scanning frequency is also supported.  
 \*3 YPBPR 4:2:0 format only  
 \*4 VESA CVT-RB (Reduced Blanking)-compliant  
 \*5 Samples the pixels in the image processing circuit and projects the image.

NOTE:  
 • A signal with a different resolution is converted to the number of display dots. The number of display dots is 1920 x 1200.  
 • The “i” at the end of the resolution indicates an interlaced signal.  
 • When interlaced signals are connected, flickering may occur on the projected image.

**List of SDI compatible signals**

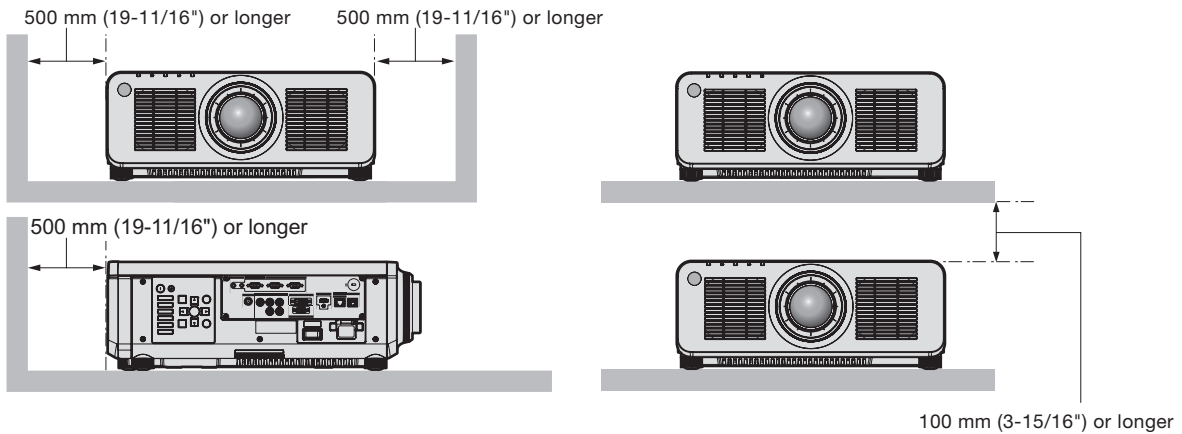
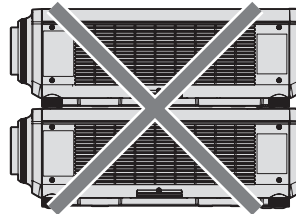
The following table specifies the SDI signals that the projector can project.

Compatible signal	Resolution (Dots)	Scanning freq.		Dot clock freq. (MHz)	Format	Color space	Sampling
		H (KHz)	V (Hz)				
480/60i	720 x 480i	15.7	59.9	27.0	SD-SDI	YCbCr	4:2:2 10bit
576/50i	720 x 576i	15.6	50.0	27.0	SD-SDI	YCbCr	4:2:2 10bit
720/60p	1280 x 720	45.0	60.0*1	74.3	HD-SDI	YPbPr	4:2:2 10bit
720/50p	1280 x 720	37.5	50.0	74.3	HD-SDI	YPbPr	4:2:2 10bit
1080/60i	1920 x 1080i	33.8	60.0*1	74.3	HD-SDI	YPbPr	4:2:2 10bit
	1920 x 1080i	33.8	60.0*1	74.3	3G-SDI Level-A	RGB	4:4:4 10bit
	1920 x 1080i	33.8	60.0*1	74.3	3G-SDI Level-B	RGB	4:4:4 10bit
	1920 x 1080i	33.8	60.0*1	74.3	3G-SDI Level-A	RGB	4:4:4 12bit
	1920 x 1080i	33.8	60.0*1	74.3	3G-SDI Level-B	RGB	4:4:4 12bit
1080/50i	1920 x 1080i	28.1	50.0	74.3	HD-SDI	YPbPr	4:2:2 10bit
	1920 x 1080i	28.1	50.0	74.3	3G-SDI Level-A	RGB	4:4:4 10bit
	1920 x 1080i	28.1	50.0	74.3	3G-SDI Level-B	RGB	4:4:4 10bit
	1920 x 1080i	28.1	50.0	74.3	3G-SDI Level-A	RGB	4:4:4 12bit
	1920 x 1080i	28.1	50.0	74.3	3G-SDI Level-B	RGB	4:4:4 12bit
1080/24p	1920 x 1080	27.0	24.0*1	74.3	HD-SDI	YPbPr	4:2:2 10bit
	1920 x 1080	27.0	24.0*1	74.3	3G-SDI Level-A	RGB	4:4:4 10bit
	1920 x 1080	27.0	24.0*1	74.3	3G-SDI Level-B	RGB	4:4:4 10bit
	1920 x 1080	27.0	24.0*1	74.3	3G-SDI Level-A	RGB	4:4:4 12bit
	1920 x 1080	27.0	24.0*1	74.3	3G-SDI Level-B	RGB	4:4:4 12bit
1080/24sF	1920 x 1080i	27.0	48.0*1	74.3	HD-SDI	YPbPr	4:2:2 10bit
	1920 x 1080i	27.0	48.0*1	74.3	3G-SDI Level-A	RGB	4:4:4 10bit
	1920 x 1080i	27.0	48.0*1	74.3	3G-SDI Level-B	RGB	4:4:4 10bit
	1920 x 1080i	27.0	48.0*1	74.3	3G-SDI Level-A	RGB	4:4:4 12bit
	1920 x 1080i	27.0	48.0*1	74.3	3G-SDI Level-B	RGB	4:4:4 12bit
1080/25p	1920 x 1080	28.1	25.0	74.3	HD-SDI	YPbPr	4:2:2 10bit
	1920 x 1080	28.1	25.0	74.3	3G-SDI Level-A	RGB	4:4:4 10bit
	1920 x 1080	28.1	25.0	74.3	3G-SDI Level-B	RGB	4:4:4 10bit
	1920 x 1080	28.1	25.0	74.3	3G-SDI Level-A	RGB	4:4:4 12bit
	1920 x 1080	28.1	25.0	74.3	3G-SDI Level-B	RGB	4:4:4 12bit
1080/30p	1920 x 1080	33.8	30.0*1	74.3	HD-SDI	YPbPr	4:2:2 10bit
	1920 x 1080	33.8	30.0*1	74.3	3G-SDI Level-A	RGB	4:4:4 10bit
	1920 x 1080	33.8	30.0*1	74.3	3G-SDI Level-B	RGB	4:4:4 10bit
	1920 x 1080	33.8	30.0*1	74.3	3G-SDI Level-A	RGB	4:4:4 12bit
	1920 x 1080	33.8	30.0*1	74.3	3G-SDI Level-B	RGB	4:4:4 12bit
1080/60p	1920 x 1080	67.5	60.0*1	148.5	3G-SDI Level-A	YPbPr	4:2:2 10bit
	1920 x 1080	67.5	60.0*1	148.5	3G-SDI Level-B	YPbPr	4:2:2 10bit
1080/50p	1920 x 1080	56.3	50.0	148.5	3G-SDI Level-A	YPbPr	4:2:2 10bit
	1920 x 1080	56.3	50.0	148.5	3G-SDI Level-B	YPbPr	4:2:2 10bit
2K/24p	2048 x 1080	27.0	24.0*1	74.3	3G-SDI Level-A	RGB	4:4:4 10bit
	2048 x 1080	27.0	24.0*1	74.3	3G-SDI Level-B	RGB	4:4:4 10bit
	2048 x 1080	27.0	24.0*1	74.3	3G-SDI Level-A	RGB	4:4:4 12bit
	2048 x 1080	27.0	24.0*1	74.3	3G-SDI Level-B	RGB	4:4:4 12bit
2K/25p	2048 x 1080	28.1	25.0	74.3	3G-SDI Level-A	RGB	4:4:4 10bit
	2048 x 1080	28.1	25.0	74.3	3G-SDI Level-B	RGB	4:4:4 10bit
	2048 x 1080	28.1	25.0	74.3	3G-SDI Level-A	RGB	4:4:4 12bit
	2048 x 1080	28.1	25.0	74.3	3G-SDI Level-B	RGB	4:4:4 12bit
2K/30p	2048 x 1080	33.8	30.0*1	74.3	3G-SDI Level-A	RGB	4:4:4 10bit
	2048 x 1080	33.8	30.0*1	74.3	3G-SDI Level-B	RGB	4:4:4 10bit
	2048 x 1080	33.8	30.0*1	74.3	3G-SDI Level-A	RGB	4:4:4 12bit
	2048 x 1080	33.8	30.0*1	74.3	3G-SDI Level-B	RGB	4:4:4 12bit
2K/48p	2048 x 1080	54.0	48.0*1	148.5	3G-SDI Level-A	YPbPr	4:2:2 10bit
	2048 x 1080	54.0	48.0*1	148.5	3G-SDI Level-B	YPbPr	4:2:2 10bit
2K/50p	2048 x 1080	56.3	50.0	148.5	3G-SDI Level-A	YPbPr	4:2:2 10bit
	2048 x 1080	56.3	50.0	148.5	3G-SDI Level-B	YPbPr	4:2:2 10bit
2K/60p	2048 x 1080	67.5	60.0*1	148.5	3G-SDI Level-A	YPbPr	4:2:2 10bit
	2048 x 1080	67.5	60.0*1	148.5	3G-SDI Level-B	YPbPr	4:2:2 10bit

\*1 The signal with 1/1.001x vertical scanning frequency is also supported.

**Notes on projector placement and operation**

- Prevent hot and cool air from the air conditioning system to blow directly to the ventilation ports (intake and exhaust) of the projector.
- Do not stack projectors on top of each other.
- Do not block the ventilation ports (intake and exhaust) of the projector.



- Do not install the projector in a confined space. When installing the projector in a confined space, provide air conditioning or ventilation separately. Exhaust heat may accumulate when the ventilation is not enough, triggering the protection circuit of the projector.