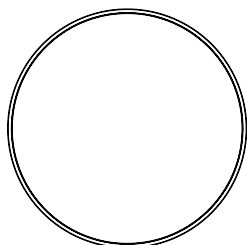
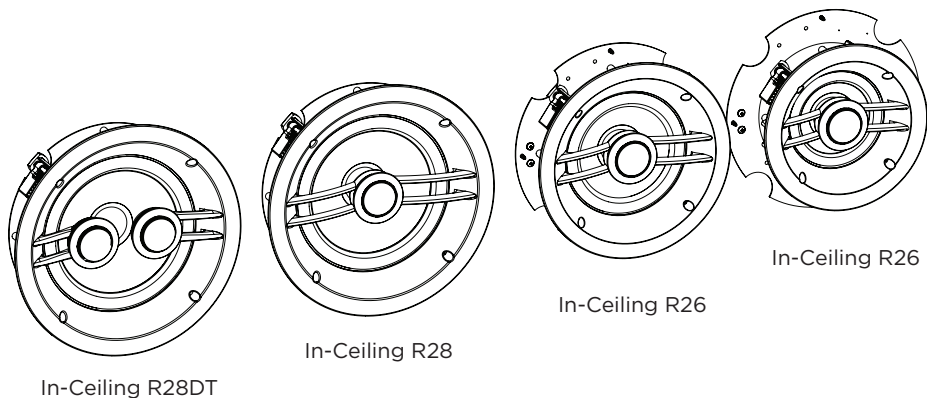
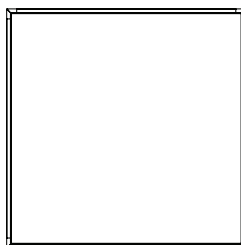


In-Ceiling R20 SERIES ROUND

Product Family



Round Grill
(included)



Square Grill
(available separately)

TRIAD 

TRIAD SPEAKERS INC. | PORTLAND, OR

www.triadspeakers.com

MESSAGE FROM TRIAD

About your new Triad In-Ceiling R20 Series Speakers

Thank you...

For purchasing Triad's line of round, compact In-Ceiling speakers designed for cost-conscious music lovers.

We designed and engineered each loudspeaker with pride in the United States of America with the utmost attention to quality, décor-friendly design, and high-performance sound—eliminating costly frills and features that add nothing to sound quality.

With ultra-slim microframed grills, optional square grills, and custom paint matching in Triad's Portland factory, these speakers blend perfectly into any interior design. All R20 models, even the smallest, are fully engineered to deliver the rich, natural sound Triad is famous for in open acoustical environments, especially in locations lacking the depth required for sealed enclosures.

All models share:

- Low-mass carbon-fiber woofers for detailed sound and dynamics
- Premium silk dome tweeters for sweet, airy high frequencies
- High-quality crossover parts for smoothness and clear vocals

We trust that you will hear the benefits of this engineering each time you play them.

Thanks again and happy listening.
Triad Speakers, Inc.

FINISH MAINTENANCE AND CARE

The paint finish on all Triad speakers is designed to last a lifetime with minimal care. If cleaning the surface becomes necessary, gently wipe the speaker grill with a soft cloth lightly dampened with a mild soap-and-water solution.

CUSTOM PAINTING

Custom painting is an option available from Triad at the time your speaker is ordered.

If you supply us with an actual paint sample or your paint's make and model number, we can paint your new speaker any color you wish. The results will be superior, and you will also be supplied with a small bottle of touch-up paint.

TABLE OF CONTENTS

Features

Message from Triad	2
Finish care and custom painting	2

Installation

New construction, retrofit, and wiring	3
Speaker grill installation and removal	7

Information

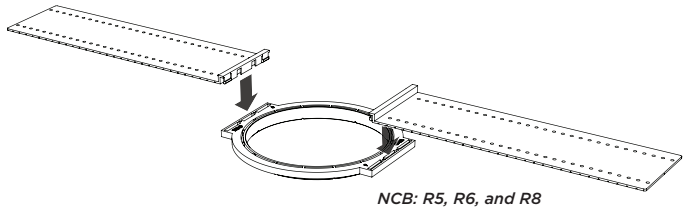
Tuning and warranty	7
---------------------	---

Specifications

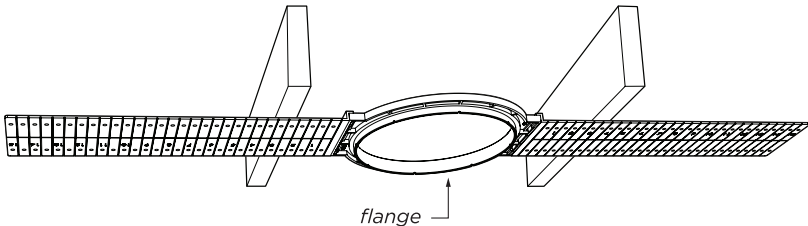
In-Ceiling R20 Series	BC
-----------------------	----

NEW CONSTRUCTION INSTALLATION

- 1 Attach New Construction Bracket (NCB) Wings before use.

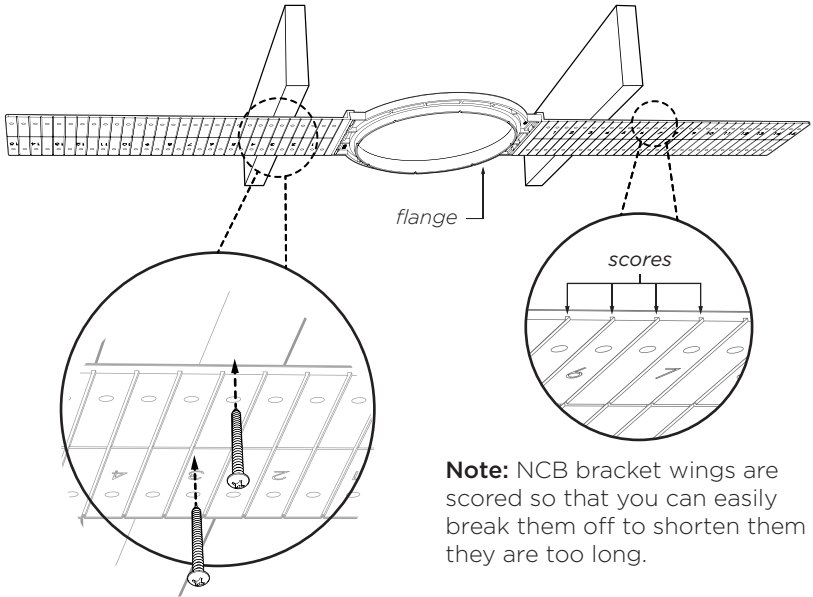


- 2 Locate the area where the speaker will be placed in the wall or ceiling, keeping in mind that when the speaker is installed, it may take up the full ceiling cavity within the NCB location (keep free from electrical wires, HVAC, and plumbing). Position the bracket beneath the two joists so the flange protrudes down for drywallers to sheetrock around.



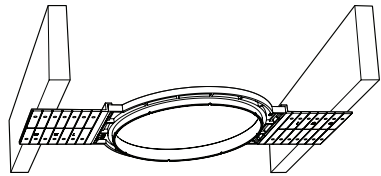
NEW CONSTRUCTION INSTALLATION cont.

Installation



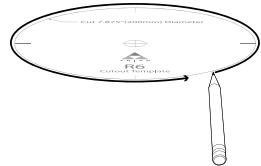
Note: NCB bracket wings are scored so that you can easily break them off to shorten them if they are too long.

- 3 Fasten each NCB flange to the joist with two screws through attachment holes.



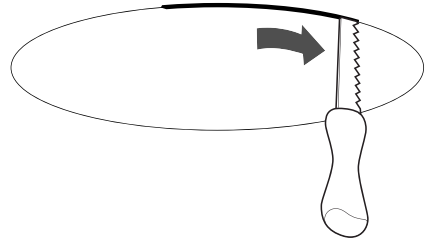
RETROFIT INSTALLATION AND WIRING

- 1 Use a stud finder to locate the two joists flanking the location in which you wish to install the speaker.
- 2 Using the enclosed hole cutout template as a guide, mark the outline on the ceiling with a pencil.

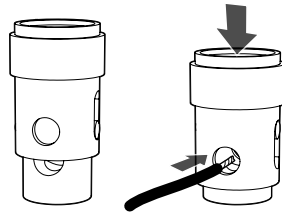
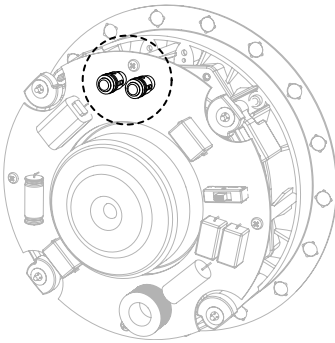


RETROFIT INSTALLATION AND WIRING cont.

3 Slowly cut along the outlined mark with a drywall knife/saw, trying not to chip out the drywall excessively.



4 On the back of the speaker, you'll find a spring-loaded wire terminal.

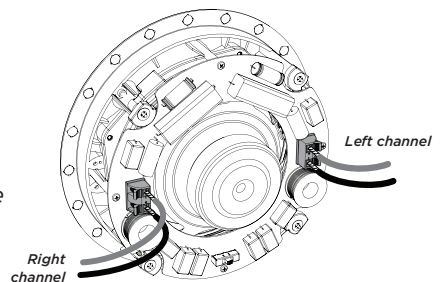


5 Press the terminal head in, exposing a hole. Insert speaker wire into the hole, then release the head to lock it against the wire.

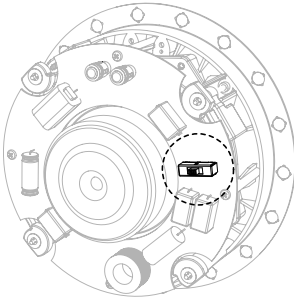
6 To keep polarity correct, connect the amplifier's + (positive) channel to speaker's + (positive) channel and the amplifier's - (negative) channel to the speaker's - (negative) channel. To avoid shorts, keep stray strands clear of adjoining connectors.

For R28DT only

The R28DT has four binding posts for its dual-voice-coil woofer and two tweeters. Connect the two left channel wires to one pair of binding posts and the two right channel wires to the other pair of binding posts.

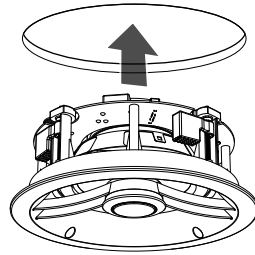


RETROFIT AND WIRING INSTALLATION cont.

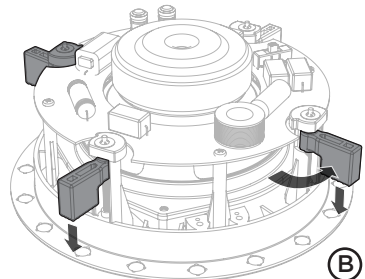
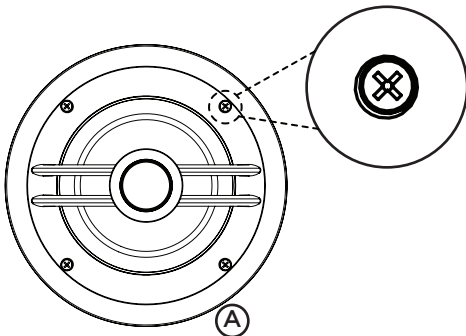


- 7 Adjust the tweeter level switch on the back of the speaker to **-3dB, 0dB, or +3dB** if desired.

- 8 Insert the speaker into the hole.



- 9 **A** Tighten the four Phillips screws located on the speaker's front baffle (see drawing below) to rotate and tighten the dog legs to the sheetrock.
- B** Dog legs will move outward and tighten to secure speaker to sheetrock.



GRILL SCRIM

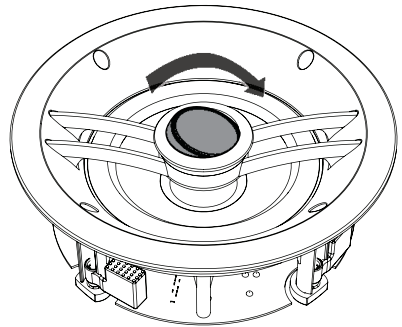
Our round grills come with white scrim. Square grills come with black scrim to minimize the contrast of the black speaker baffle over a light-colored surface. Either scrim can be removed and carefully reinstalled when repainting grill.

SPEAKER GRILL INSTALLATION AND REMOVAL

Attach the metal grill to the frame by placing the grill over the edge of the frame. Grill will self-center onto the magnet system. To remove the grill, grab the edge of the grill and gently pull away.

TUNING

Tweeters on all R20 series models can be aimed up to 15 degrees in any direction around the axis of their arms to vary the sound distribution pattern as desired.



Information

WARRANTY

Triad Speakers warranty information

Limited Hardware Warranty—Triad Speakers warrants its hardware product to be free from defects in material and workmanship during the warranty period. If the hardware proves to be defective in material or workmanship during the warranty period, Triad Speakers will, at its sole option, repair or replace the product with a like product. The warranty extends only to products purchased directly from Control4 Corporation or an Authorized Control4 Dealer. For complete limited warranty information, including details on purchaser legal rights as well as limited warranty exclusions, visit <http://triadspkrs.co/warranty>.

Return Merchandise Authorization (RMA) information

For Sales RMAs, contact your Inside Sales Associate. Your ISA information can be found in the My Account section of the Dealer Portal under Control4 Contacts.

Technical support information

Phone: 503-517-2668
Hours: 9:00 a.m. – 5:30 p.m. PST (Monday – Friday)
Email: service@triadspeakers.com

SPECIFICATIONS

In-Ceiling R25

Cabinet dimensions

Inside ring diameter: 6-3/8" (16.2 cm)
Mounting depth: 3-3/4" (9.52 cm)
Hole cutout: 6-1/2" (16.5 cm) / NCB: R5
Grill: 8-5/16" (21.11 cm)

Product weight (pair)

7.36 lb pair (3.34 kg)

Shipping weight (pair)

10.5 lb (4.75 kg)

Drive units

(1) 1" (25 mm) silk dome tweeter
(1) 5-1/4" (14 cm) carbon-fiber woofer

Sensitivity

86 dB / 1W / 1 m

Installed frequency response

68 Hz - 20 kHz (+/-3 dB)

Power handling

Rec. amp. power 25 - 125W

Impedance

Nominal impedance 8 ohms

In-Ceiling R26

Cabinet dimensions

Inside ring diameter: 7-3/4" (19.6 cm)
Mounting depth: 4" (10.1 cm)
Hole cutout: 7-7/8" (20 cm) / NCB: R6
Grill: 9-11/16" (9.68 cm)

Product weight (pair)

8.33 lb pair (3.78 kg)

Shipping weight (pair)

12.23 lb (5.55 kg)

Drive units

(1) 1" (25 mm) silk dome tweeter
(1) 6-1/2" (17 cm) carbon-fiber woofer

Sensitivity

87 dB / 1W / 1 m

Installed frequency response

50 Hz - 20 kHz (+/-3 dB)

Power handling

Rec. amp. power 25 - 125W

Impedance

Nominal impedance 8 ohms

In-Ceiling R28

Cabinet dimensions

Inside ring diameter: 9-7/16" (23.9 cm)
Mounting depth: 4-3/8" (11.1 cm)
Hole cutout: 9-1/2" (24.1 cm) / NCB: R8
Grill: 11-5/16" (28.7 cm)

Product weight (pair)

9.0 lb pair (4.1 kg)

Shipping weight (pair)

13.8 lb pair (6.26 kg)

Drive units

(1) 1" (25 mm) silk dome tweeter
(1) 8-1/2" (22 cm) carbon-fiber woofer

Sensitivity

88 dB / 1W / 1 m

Installed frequency response

40 Hz - 20 kHz (+/-3 dB)

Power handling

Rec. amp. power 25 - 125W

Impedance

Nominal impedance 8 ohms

In-Ceiling R28DT

Cabinet dimensions

Inside ring diameter: 9-7/16" (23.9 cm)
Mounting depth: 4-3/8" (11.1 cm)
Hole cutout: 9-1/2" (24.1 cm) / NCB: R8
Grill: 11-5/16" (28.7 cm)

Product weight (each)

5.0 lb each (2.3 kg)

Shipping weight (pair)

7.5 lb pair (3.4 kg)

Drive units

(2) 1" (25 mm) silk dome tweeter
(1) 8-1/2" (22 cm) carbon-fiber woofer

Sensitivity

87 dB / 1W / 1 m

Installed frequency response

40 Hz - 20 kHz (+/-3 dB)

Power handling

Rec. amp. power 100W max

Impedance

Nominal impedance 8 ohms



Copyright ©2017, Control4 Corporation. All rights reserved. Control4 and the Control4 logo are registered trademarks or trademarks of Control4 Corporation or its subsidiaries in the United States and/or other countries. All other names and brands may be claimed as the property of their respective owners. All specifications subject to change without notice.

DOC-00282-B 10-30-2017 LW