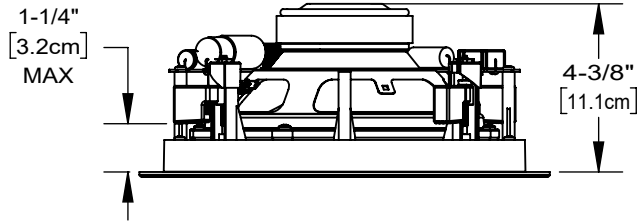
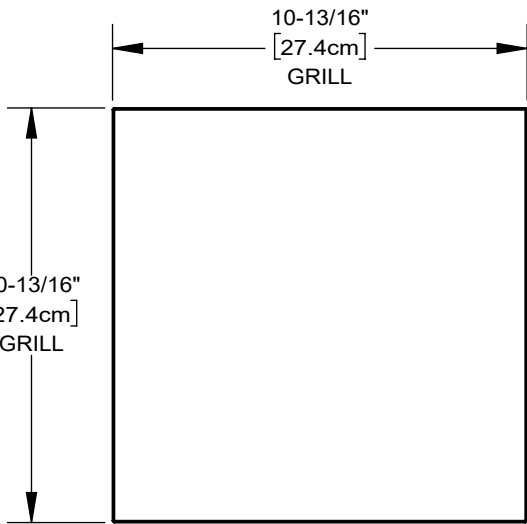
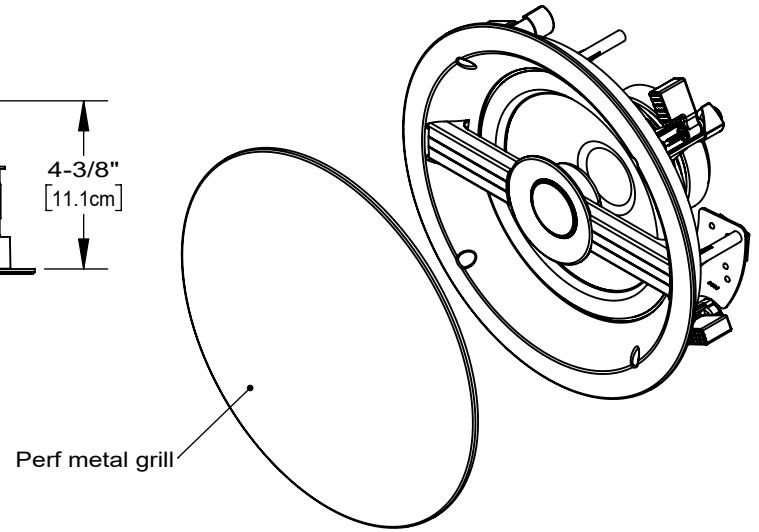


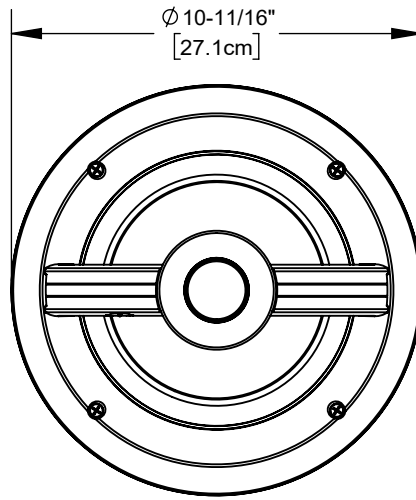
Front view  
Round grill  
(included)



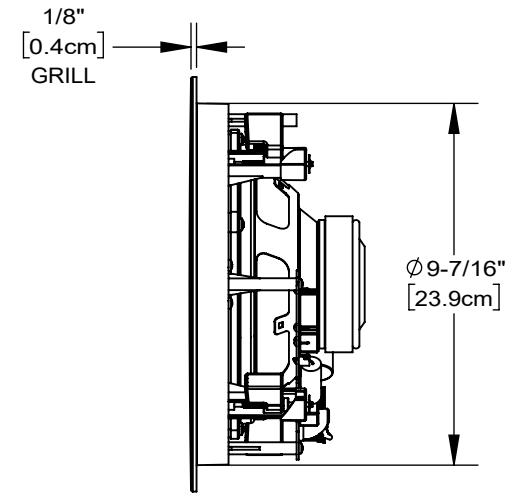
Top view



Front view  
Square grill  
(not included)



Front view



Side view

v1.0

**TRIAD**  
 15835 NE CAMERON BLVD  
 PORTLAND, OR 97230  
[www.triadaudio.com](http://www.triadaudio.com)  
 503-256-2600

## TS-IC82

Copyright ©2019, Control4 Corporation. All rights reserved. Control4, the Control4 logo, the 4-ball logo, Triad, and the Triad logo, are registered trademarks or trademarks of Control4 Corporation or its subsidiaries in the United States and/or other countries. All other names and brands may be claimed as the property of their respective owners. All specifications subject to change without notice

**TRIAD**®