

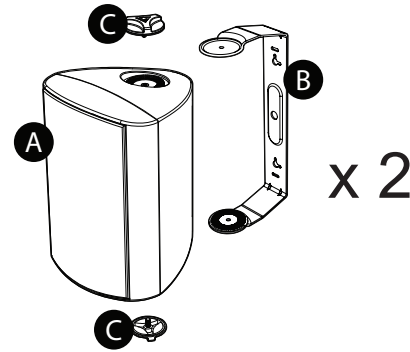
**OVERVIEW**

Triad outdoor speakers are attractive, weather-resistant speakers engineered in the U.S. to have a rich and full sound. To help them better integrate into their surroundings, Triad Outdoor Speakers are available in custom colors directly from Triad. Thank you for purchasing this product!

**IN THE BOX**

Two (2) Speaker Assemblies including:

- A - Enclosure
- B - Bracket
- C - Assembly knobs



**PAINTING AT THE FACTORY**

OD25 & OD26 outdoor speakers have already undergone an extensive multi-step prep and painting process at the factory. Out of the box they are painted either black or white. As an option, Triad can also paint OD25 & OD26 speakers custom colors to match any environment. This paint is applied at the Triad factory for a nominal charge. Custom colored products are not returnable. Contact Triad Sales for custom painting details.

**PAINTING IN THE FIELD** 

If the Triad OD25 & OD26 speakers must be painted in the field, special procedures **MUST** be followed. Do not attempt field painting without calling Triad Sales Department for details at 1-800-666-6316. Field painting voids warranty.

**WARRANTY**

**North American Limited Warranty**

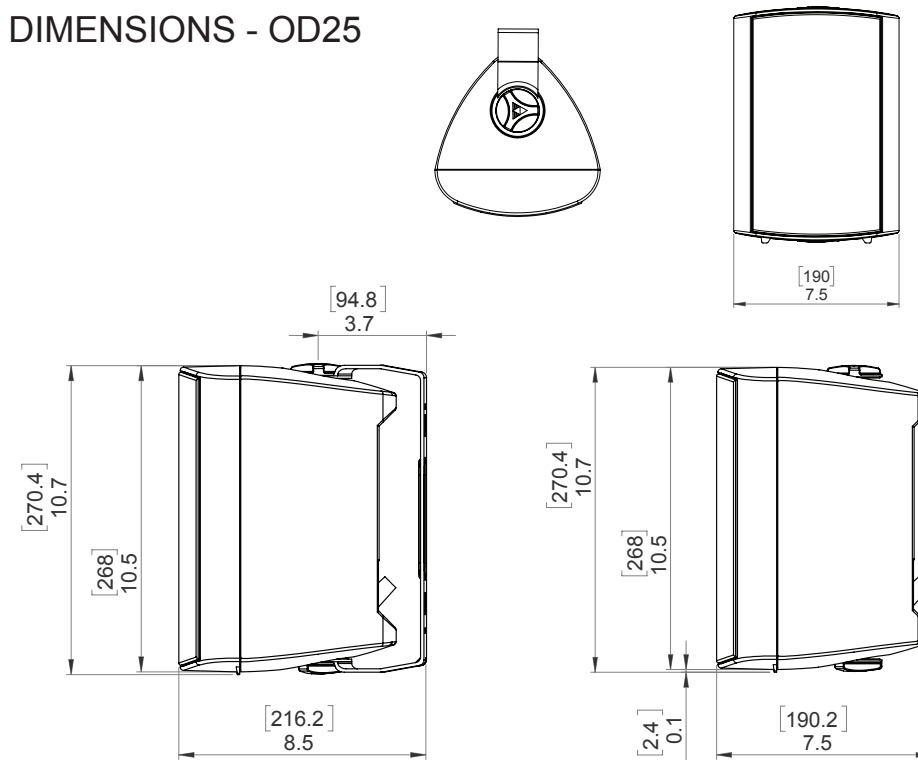
Triad speakers are warranted to be free from defects in manufacturing and workmanship for (5) years when operated under normal conditions. Finishes are excluded from this warranty. Should any such defects occur within the warranty period, call Triad Service at 1-503-256-2600 for an RA (Return Authorization) number. Note that we cannot accept products for warranty consideration without RA numbers.

Return the product in intact factory packaging with RA number clearly visible on outside of box and proof & date of purchase inside to:

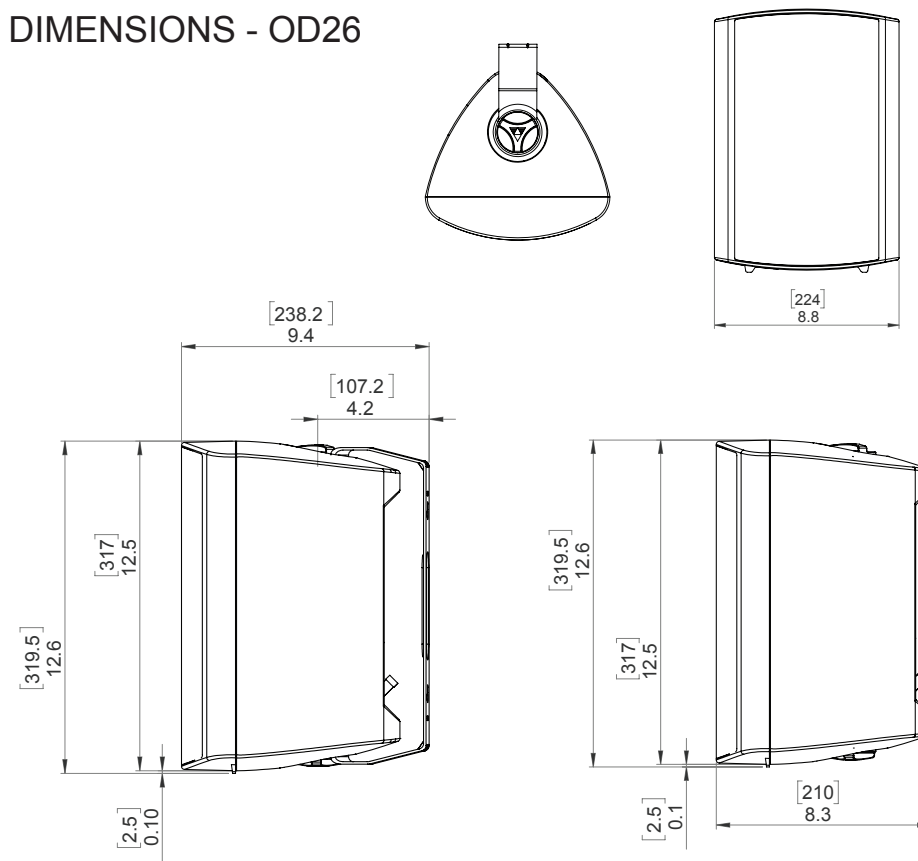
Triad Speakers Inc.,  
15835 NE Cameron Blvd.,  
Portland, Oregon 97230 USA

The product should be returned in its original packaging together with proof and date of purchase. At our discretion, we will repair or replace the product and return it, free from charge. If you do not have the original packaging for the product, you can purchase it from Triad. Contact your dealer or Triad Service for details.

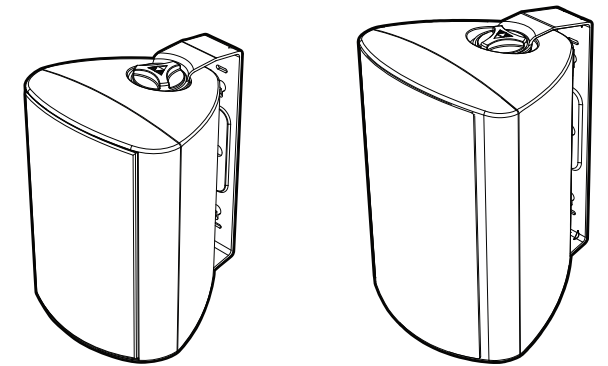
**DIMENSIONS - OD25**



**DIMENSIONS - OD26**



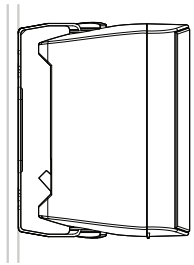
**SPECIFICATIONS**



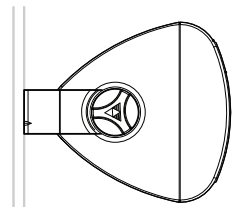
	<b>OD25</b>	<b>OD26</b>
Enclosure size (H x W x D) in.	10 9/16 x 7 1/2 x 7 1/2	12 7/16 x 8 7/8 x 8 1/4
Enclosure WITH bracket (H x W x D) in.	10 9/16 x 7 1/2 x 8 1/2	12 7/16 x 8 7/8 x 9 3/8
Enclosure size (H x W x D) mm	270 x 190 x 190	319 x 224 x 210
Enclosure WITH bracket (H x W x D) mm	270 x 190 x 216	319 x 224 x 238
Product weight /each	7.5lb / 3.4kg	9lb / 4.1kg
Shipping weight / pair	17lb / 7.7kg	21.5lb / 9.8kg
Shipping weight Master pack (4 ea.)	37lb / 16.8kg	47lb / 21.4kg
Tweeter - size (in./mm)	1" / 25mm	1" / 25mm
Tweeter material	Titanium	Titanium
Woofer - number & size (in./cm)	(1) 5.25" / 14cm	(1) 6.5" / 17cm
Woofer material	Carbon fiber	Carbon fiber
Recommended amplifier power (W)	25-150	25-150
Nominal Impedance (ohms)	6	6
Minimum Impedance (ohms)	4.8	4.8
Sensitivity (dB @ 2.83v, 1 m)	84	86
Frequency Response 2 π +/- 3dB (Hz)	75 - 20k	65 - 20k

### SPEAKER PLACEMENT

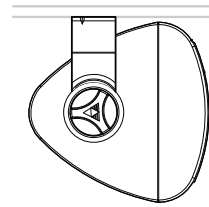
Traid Outdoor OD25 & OD26 speakers can be installed in numerous locations. The bracket can be affixed vertically or horizontally.



On a wall, vertically



On a wall, horizontally

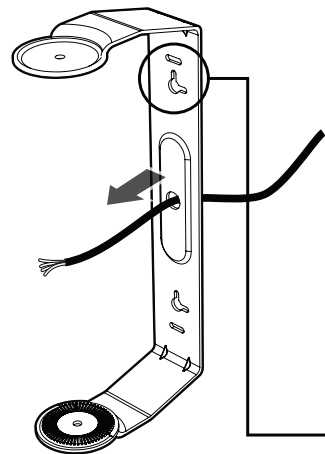


Under an eave

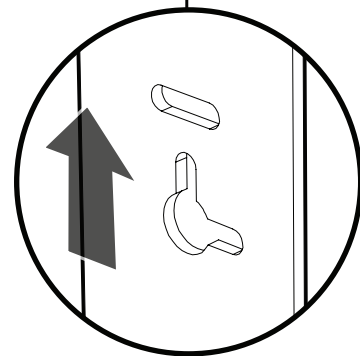
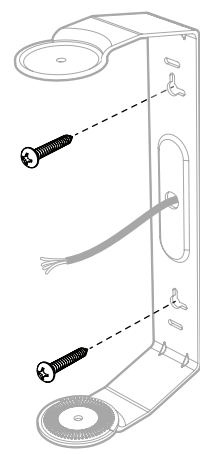
### INSTALLATION

To install the speakers, first install the bracket to desired location.

- 1** Pass wire through hole in bracket.



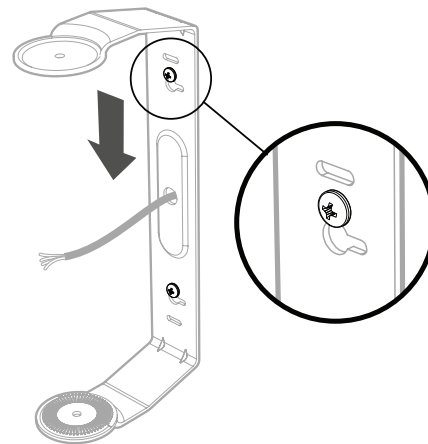
- 2** Screw bracket to wall, keeping screws (not included) LOOSE.



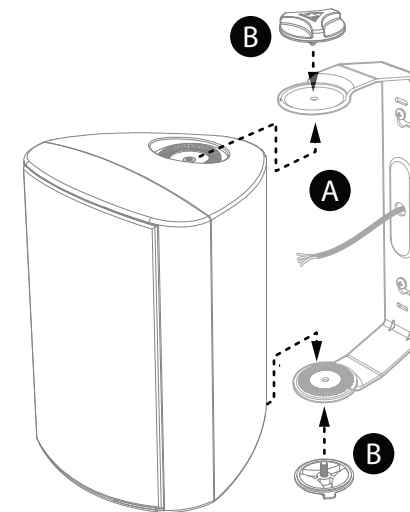
MAKE SURE CUTOUTS IN BRACKET ARE ORIENTED CORRECTLY

### INSTALLATION, cont.

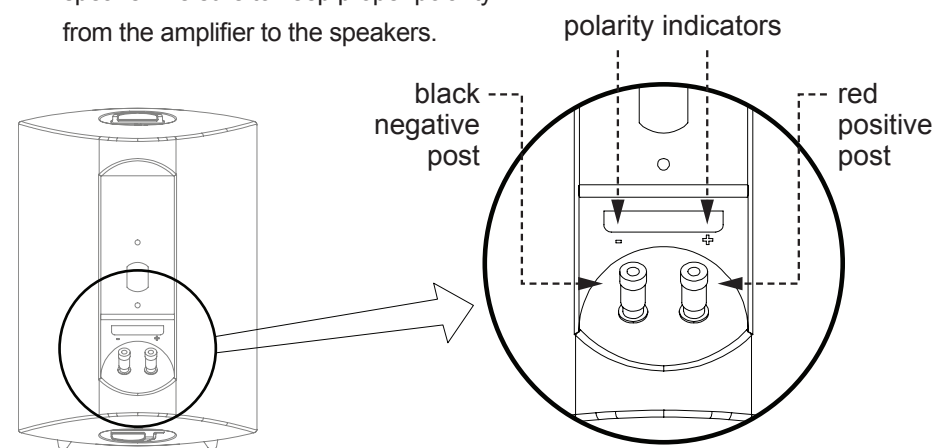
- 3** Slide bracket so screw heads are securely in a slot. Tighten screws.



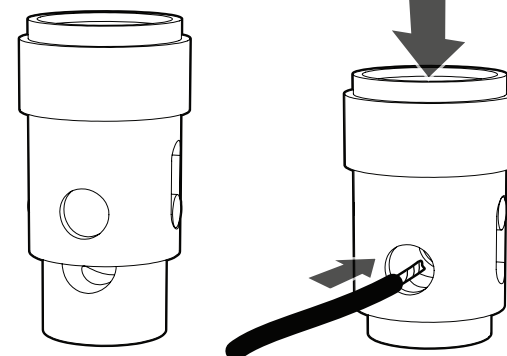
- 4** Assemble speaker into bracket. Screw knobs LOOSELY through bracket into enclosure.



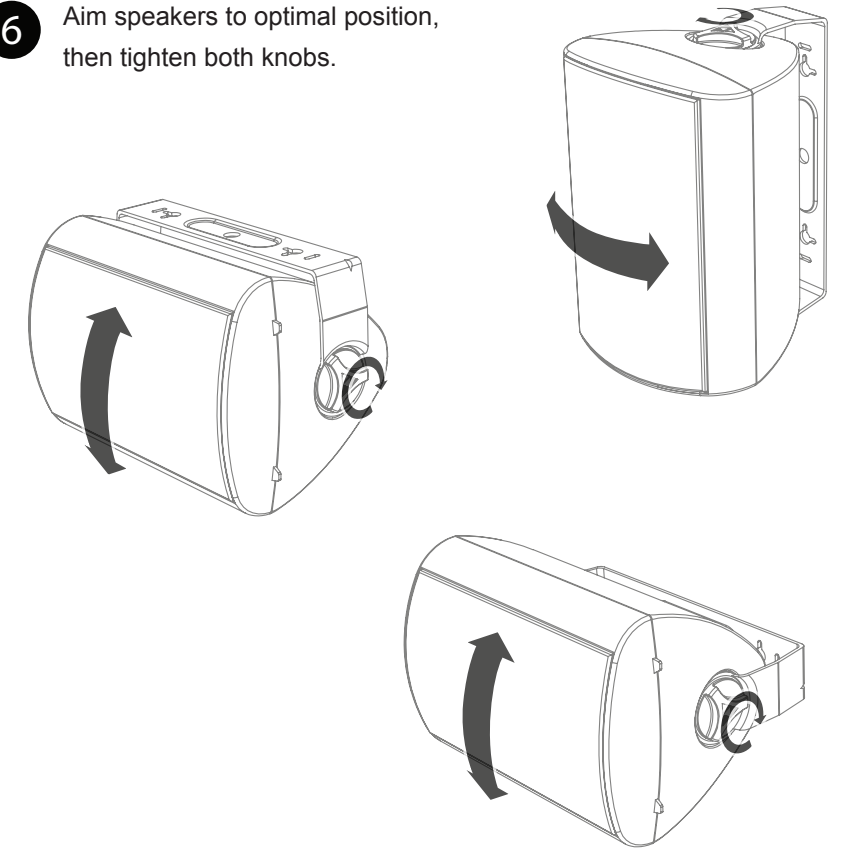
- 5** Attach wires to binding posts in back of speaker. Be sure to keep proper polarity from the amplifier to the speakers.



Push binding posts down to align wire holes & insert wire. Release binding post top when wire has been inserted.

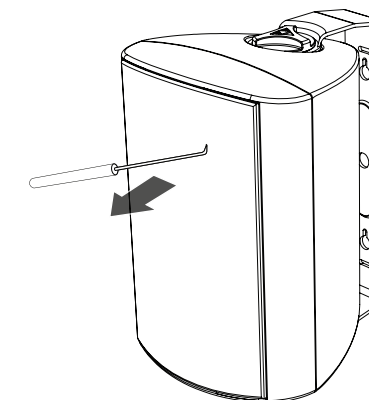


- 6** Aim speakers to optimal position, then tighten both knobs.

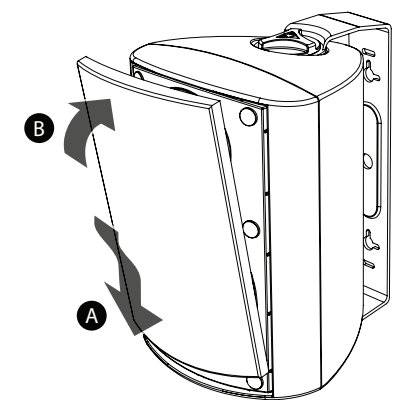


### GRILL REMOVAL & REPLACEMENT

If grill removal is necessary for any reason, see instructions below:



REMOVE: Use a Triad Grill Pick or other suitable tool to grab grill & pull outward.



REPLACE: First slip bottom end into enclosure, then slide downward and push top into place.