

## SIGNATURE SERIES DEADBOLT FEATURING CONTROL4®

Model #: 914 S ZB-C4

Function: Single Cylinder Electronic Deadbolt / Smart Lock Conversion Kit

### Convenience

- One product, two installation possibilities
- Motorized locking mechanism enables true remote locking & unlocking
- Tapered deadbolt design permits misaligned doors to lock & unlock with ease
- SmartKey Security® easy re-key backup keyway\*

### Customizable Features

- Auto re-lock 30 seconds after unlocking - ON/OFF
- Interior LED locked/unlocked status - ON/OFF
- Audible feedback - ON/OFF

### Security

- 128-bit Advanced Encryption Standard (AES) communication
- Meets BHMA Grade 2 deadbolt operational and security standards
- Audit trail logging stores access history in the lock memory
- Date/time scheduled user access control

\* Only applicable with Single Cylinder Electronic Deadbolt application

### Specifications

#### Electrical:

**Input Power** 6V (4 x AA alkaline batteries)

#### Mechanical:

<b>Door Prep</b>	1 1/2" diameter face hole & 1" diameter latch hole
<b>Backset</b>	Adjustable 2 3/8" or 2 3/4"
<b>Door Thickness</b>	1 3/8" - 2" automatic adjustment
<b>Faceplates</b>	1" x 2 1/4" round corner standard
<b>Strikes</b>	Round corner strike 2 3/4" x 2 1/8"
<b>Latch</b>	Round corner adjustable 2 3/8" x 2 3/4"
<b>Bolt</b>	1" throw, steel deadbolt
<b>Door Handing</b>	Reversible
<b>Cylinder</b>	Keyway Featuring SmartKey Security®

#### Environmental:

<b>Temperature Range</b>	Exterior: -40°F to 150°F Interior: 32°F to 140°F
<b>Humidity</b>	Exterior: 100% condensing Interior: 30% - 95% non-condensing



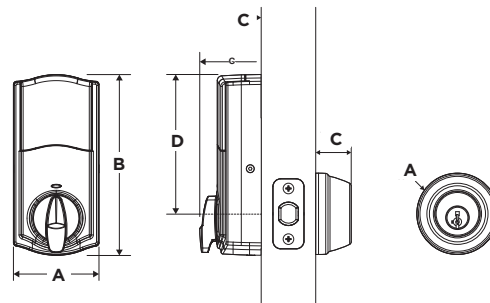
### Wireless Communication

- Control4™ wireless technology
- RF Operation: 2.4 GHz (US)
- Range: Typical 250ft line of sight



### Electronic Compliance

- ZigBee: Control4™
- FCC Part 15
- Industry Canada



Design	A	B	C	D
Interior	2 3/4" (70 mm)	5 3/4" (146 mm)	2" (50 mm)	4 7/16" (113 mm)
Exterior	2 19/32"* (66 mm)*	---	1 5/32" (29 mm)	---

### Control4 Enabled Lock Features:

- Monitor lock status (locked/unlocked)
- Remote locking and unlocking
- Lock jam notification

### Control4 Enabled Lock Management Features:

- Over the Air Updates
  - Zigbee daughter card and Lock mainboard updates
- Multiple user type settings
  - 24/7 access
  - Time limited user codes (up to 7 schedules per user)
  - One-time user codes
- Remote Lock Configuration
  - Add/Remove users
  - Status LED On/Off
  - AutoLock (User enabled/disabled)
  - Sound on/off
- Remote and local reset to factory default settings
- Remote power status information
- Remotely disable/enable local programming interface
- Tamper detection - Alarm if the device sense lock disassembly
- Audio/Visual enrollment success indicator
- Invalid code entry alarm with lockout state duration (user configurable)

Signature Series  
DEADBOLT

