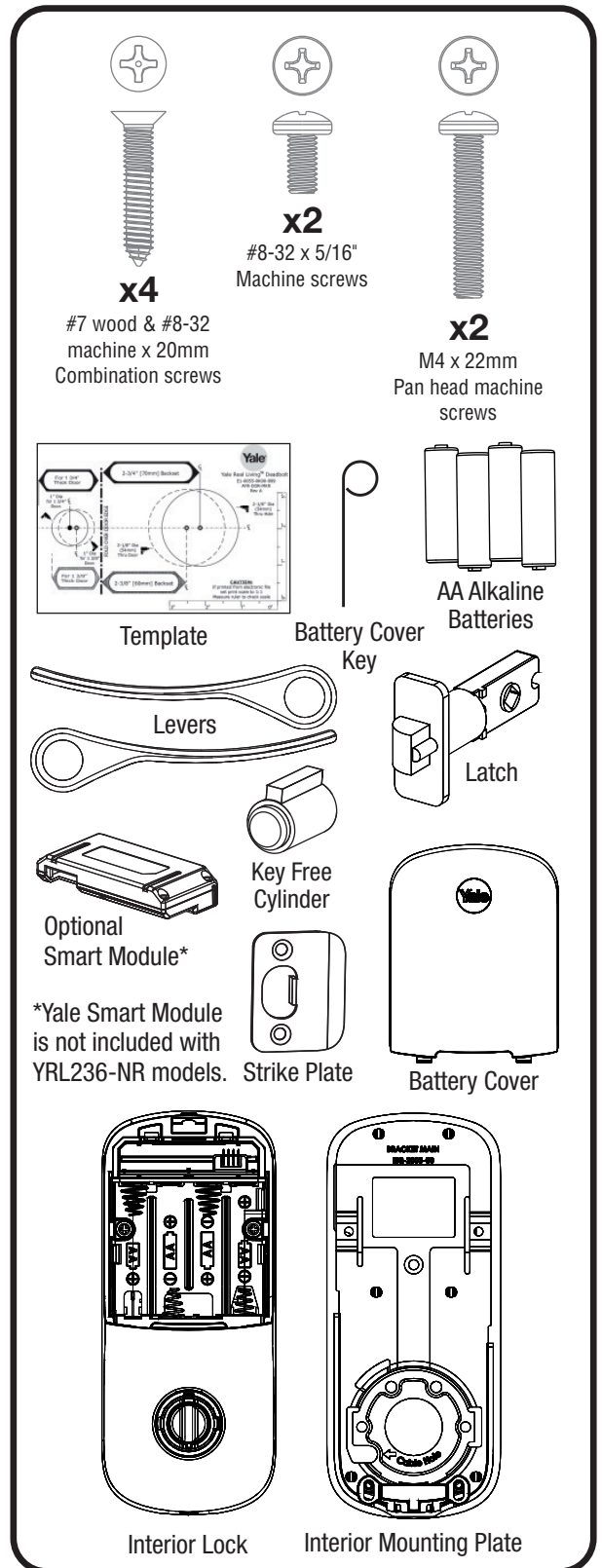
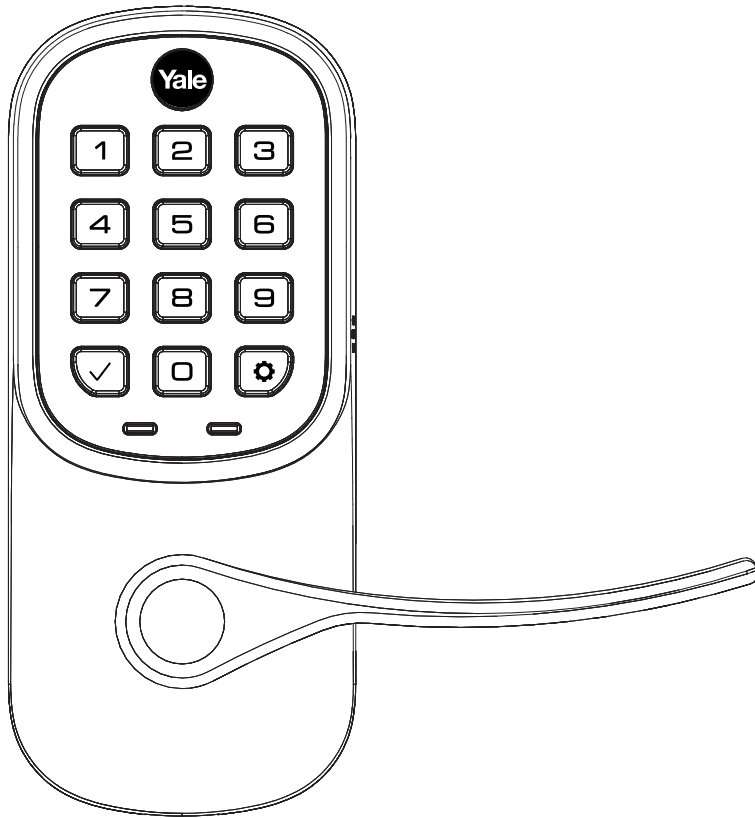




Yale *real* Living

# Yale® Assure Lever™ Key Free Push Button Installation and Programming Instructions (YRL236)



**Before you begin** >>>

**DOWNLOAD THE BILT APP**

for step-by-step installation instructions & to register your product

**BILT.**

Download on the App Store | GET IT ON Google Play

FAILURE TO FOLLOW THESE INSTRUCTIONS COULD RESULT IN DAMAGE TO THE PRODUCT AND VOID THE FACTORY WARRANTY



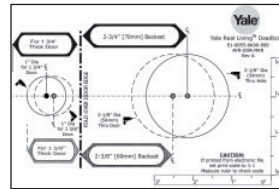
# Preparing to Install

## Tools Needed



Standard  
Phillips Head  
Screwdriver

## *Tools necessary only for new doors or adjusting existing prep.*



Template



Drill



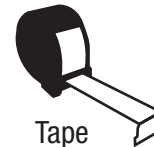
Pencil



Wood Mortise  
Chisel



Utility Knife



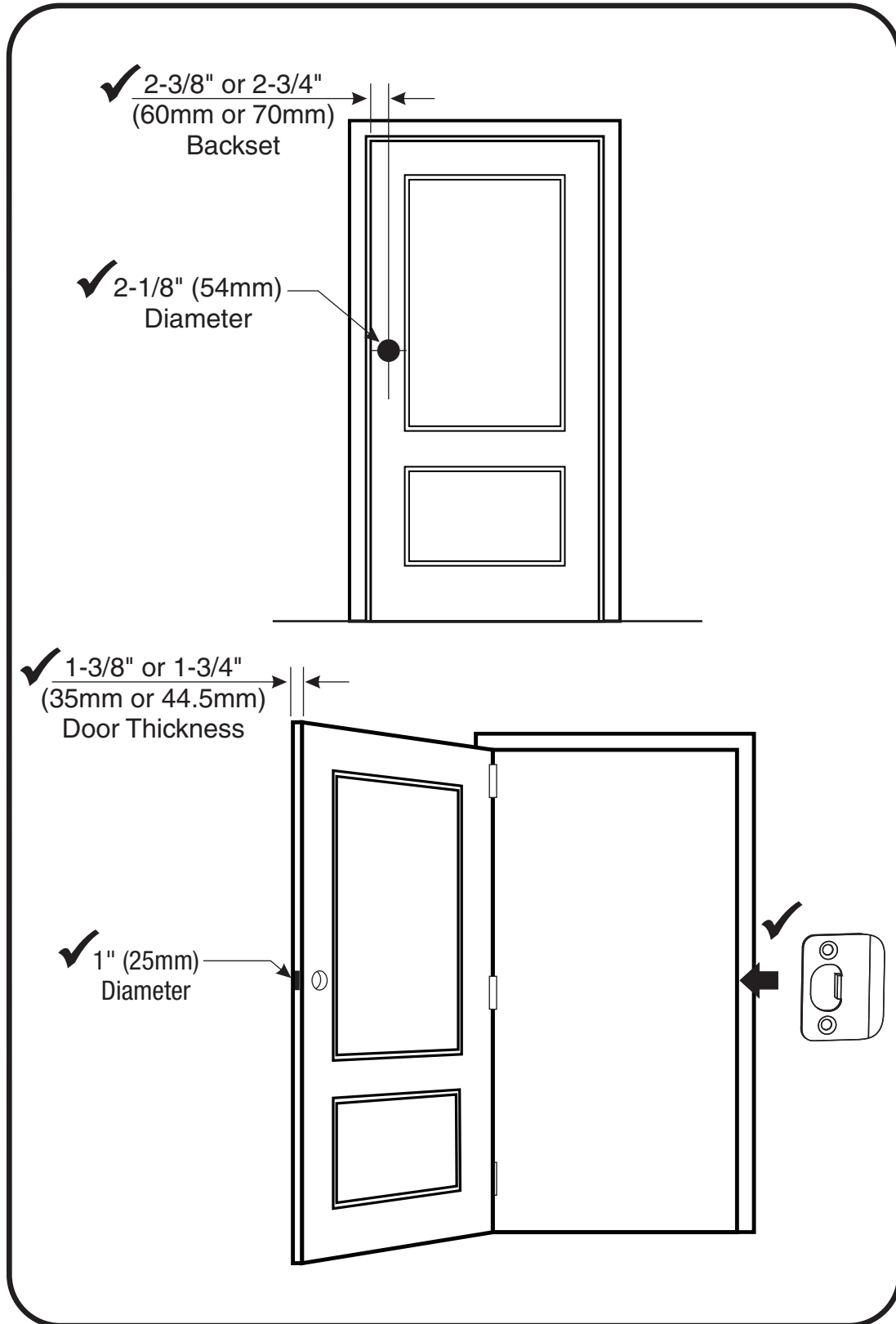
Tape  
Measure



Level



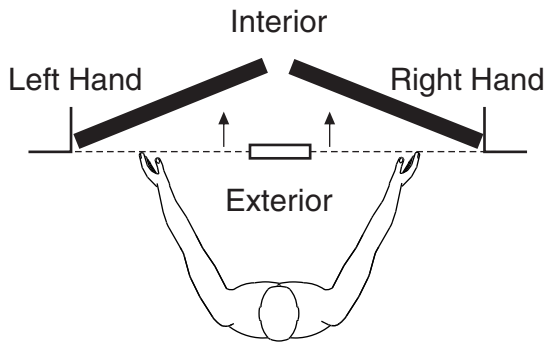
# Checking Measurements





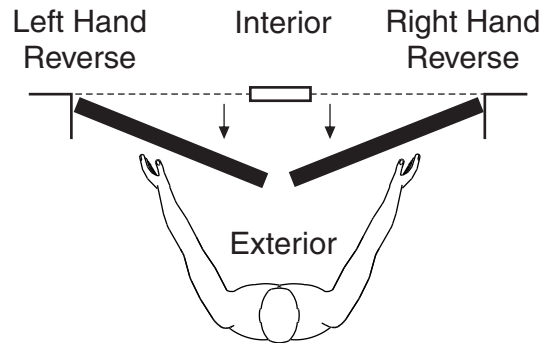
# Determining Door Handing

## Inswinging Door

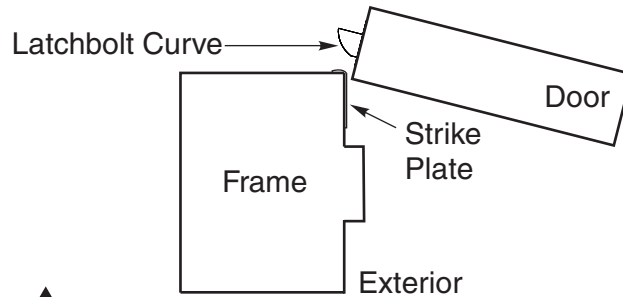


Face a door swinging open away from you.  
If it swings open to the right, it is a right hand door. If it swings open to the left, it is a left hand door.

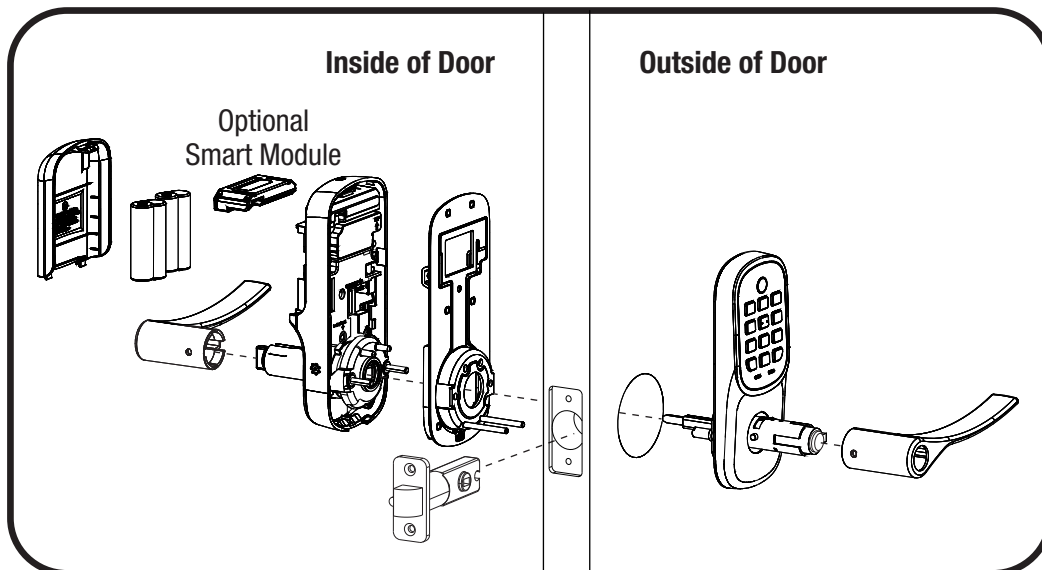
## Outswinging Door

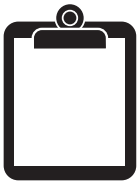


Face a door swinging open toward you.  
If it swings open to the right, it is a right hand reverse door. If it swings open to the left, it is a left hand reverse door.



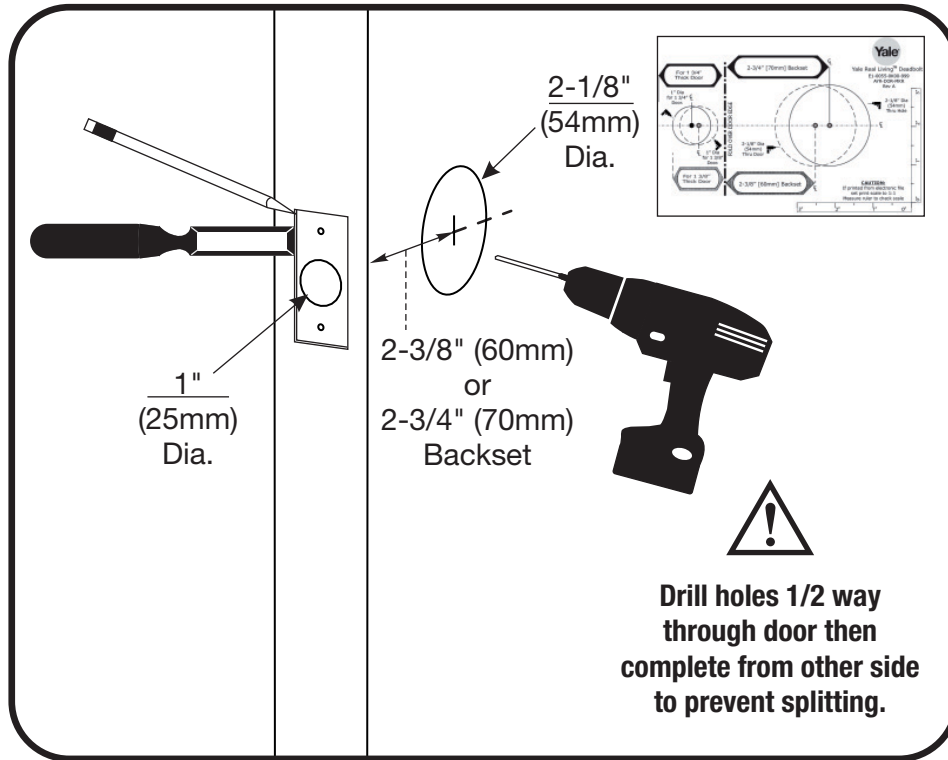
**Curve of latchbolt must contact strike plate first.**





# Preparing Door & Frame

*Necessary for new doors or adjusting existing prep.*

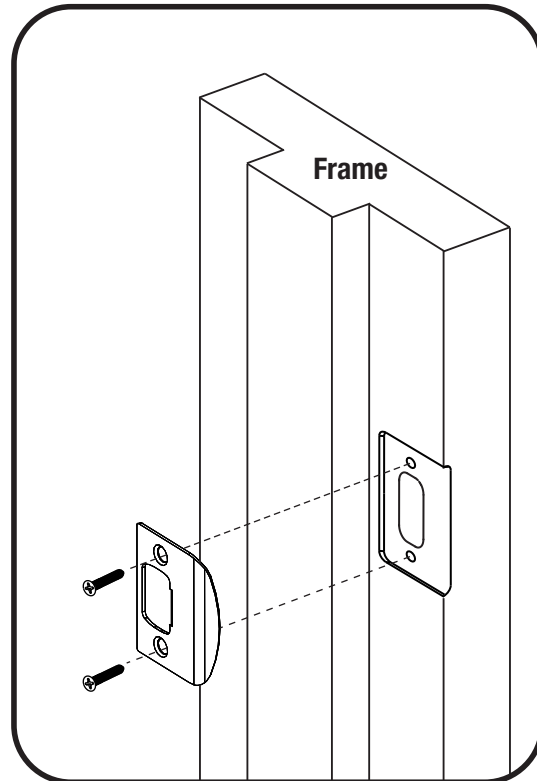
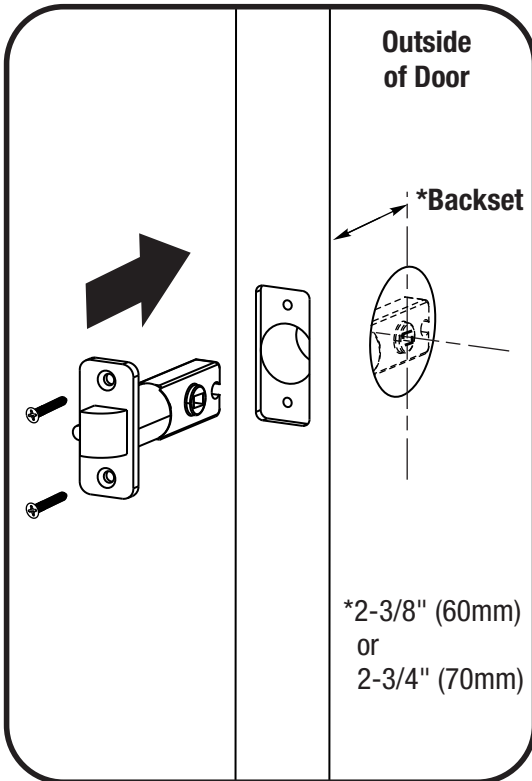
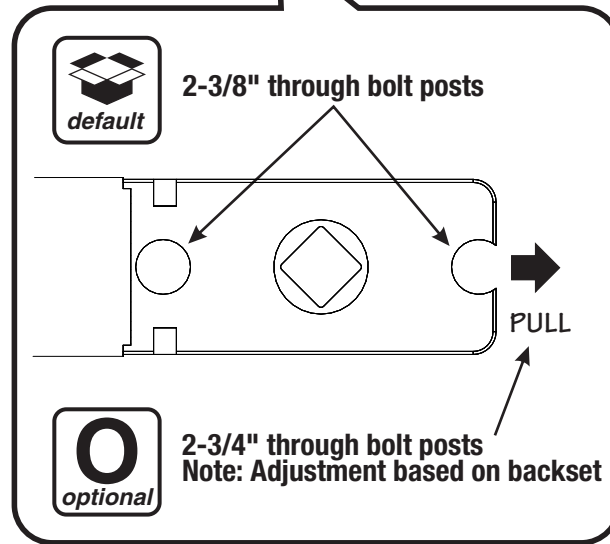
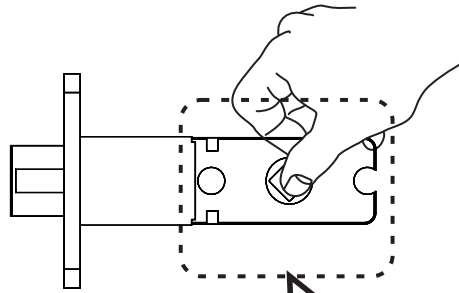


# 1

## Installing Latch & Strike Plate Right Hand Installation Shown

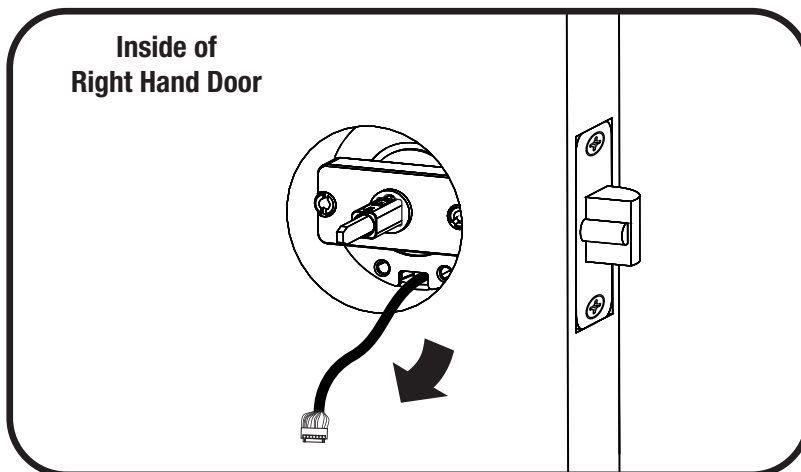
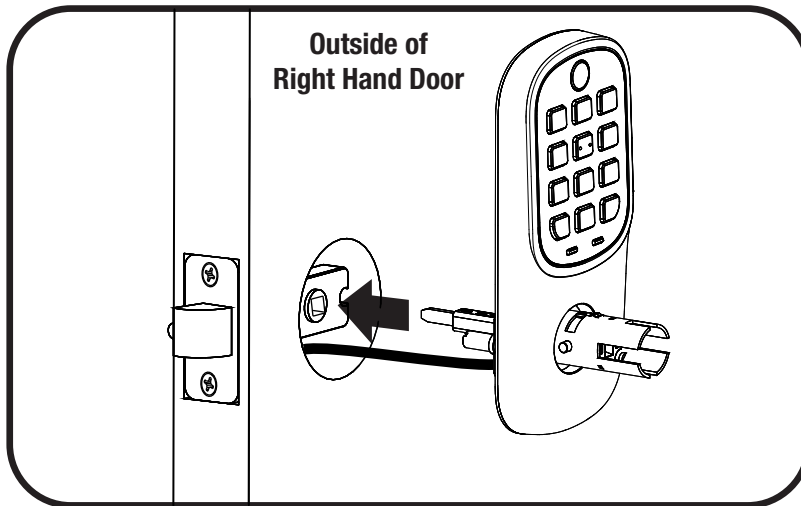
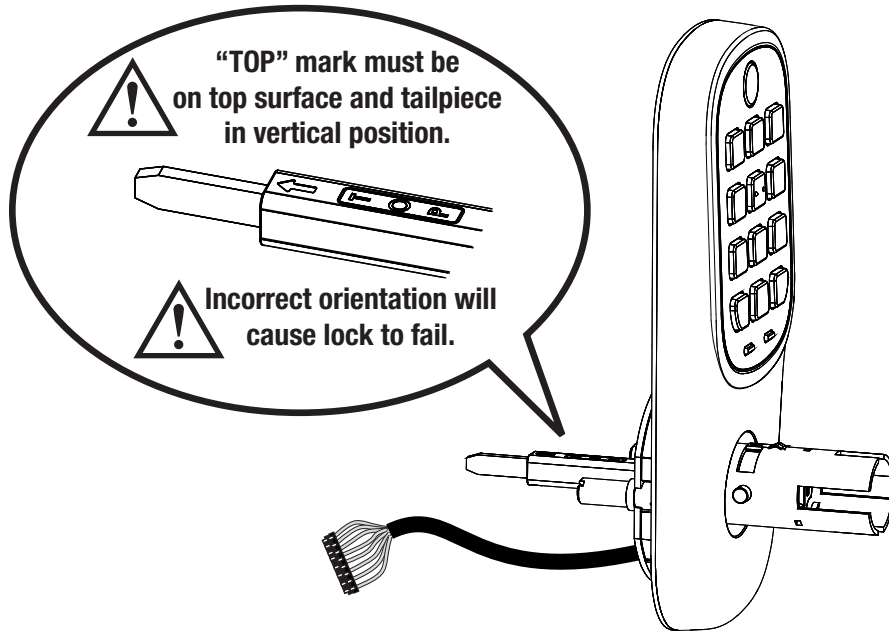


x4



# 2

## Installing Push Button Right Hand Installation Shown

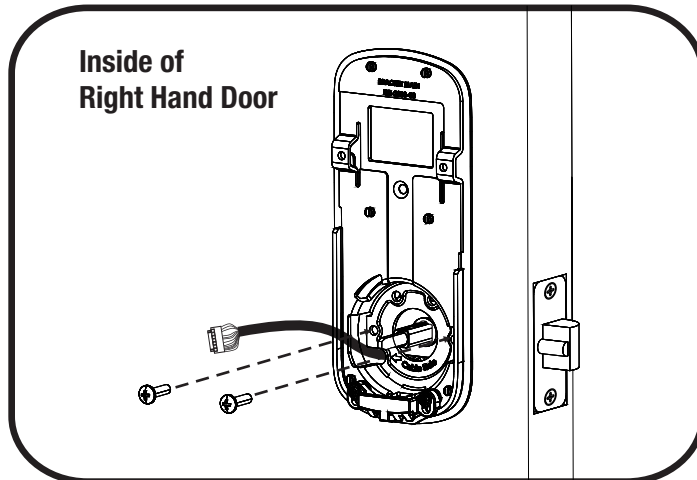
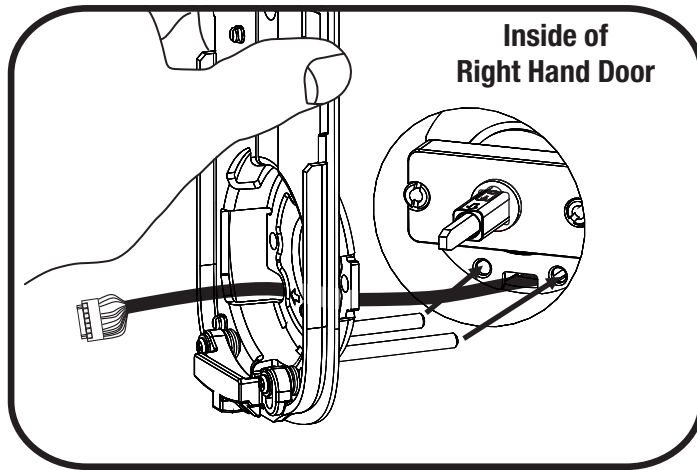
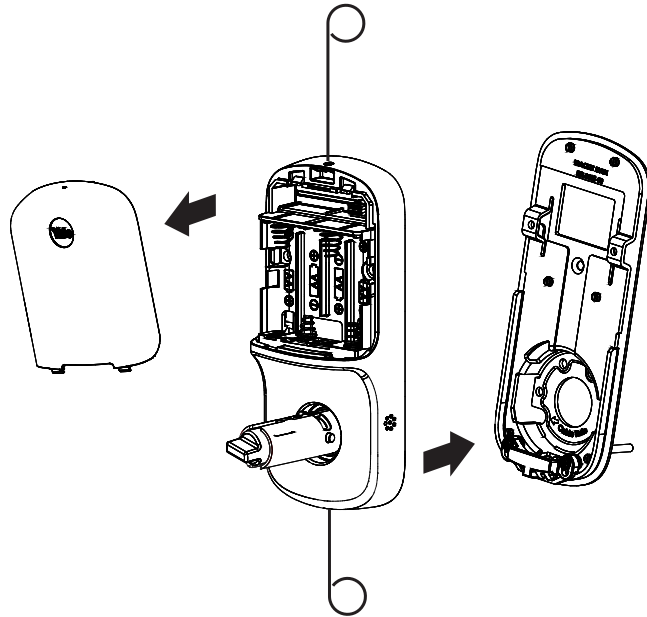


# 3

## Installing Interior Mounting Plate Right Hand Installation Shown



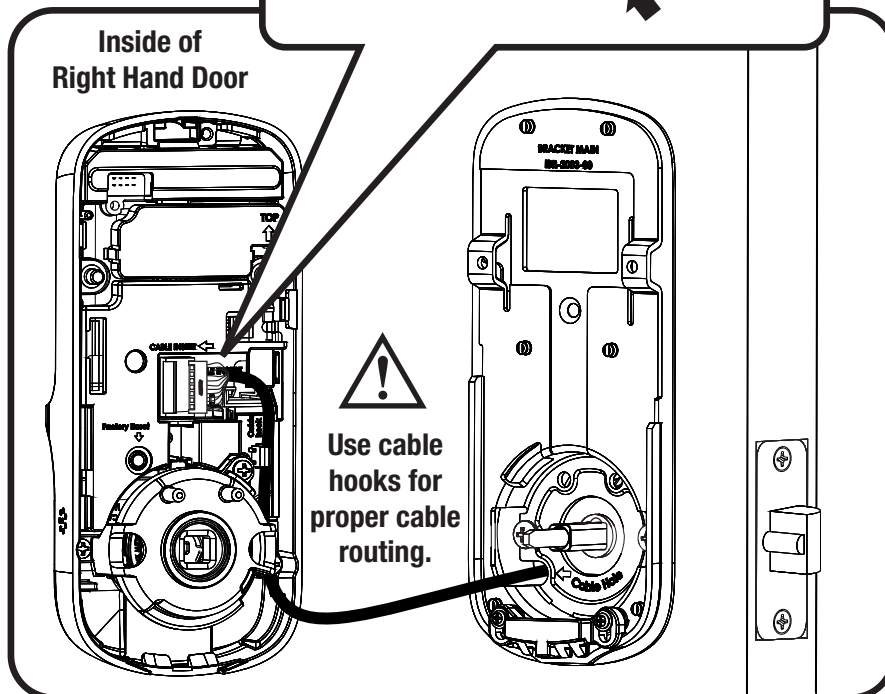
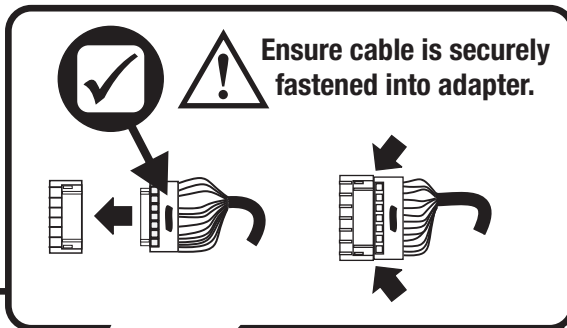
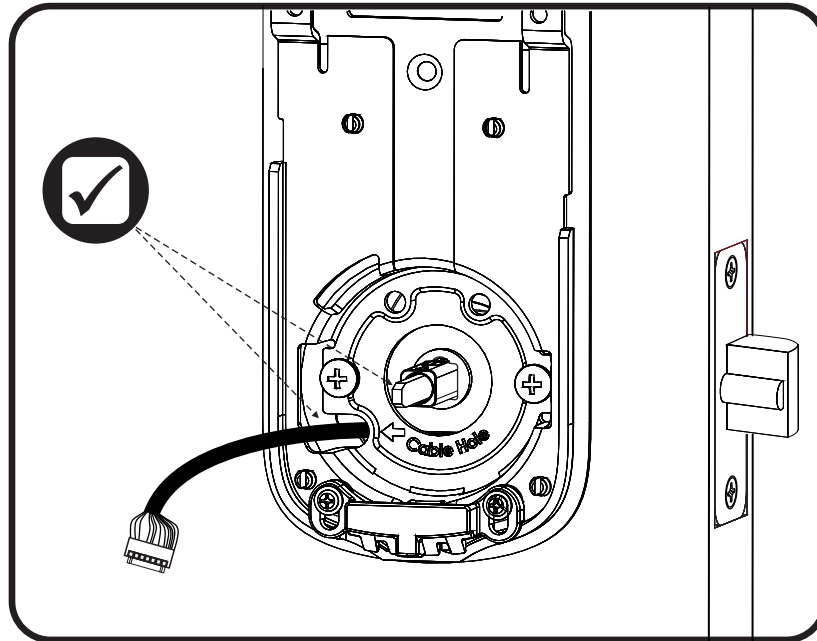
x2





# 4

## Attaching the Cable Assembly Right Hand Installation Shown

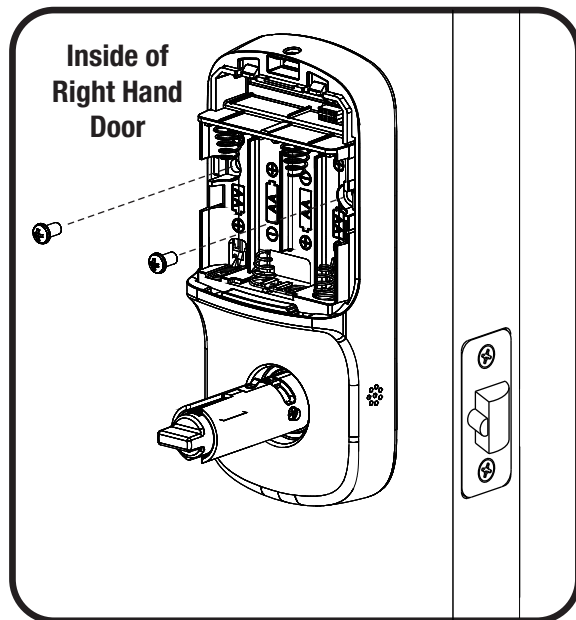
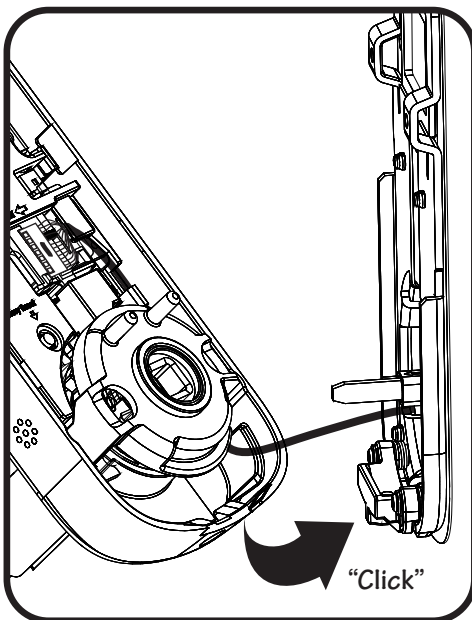
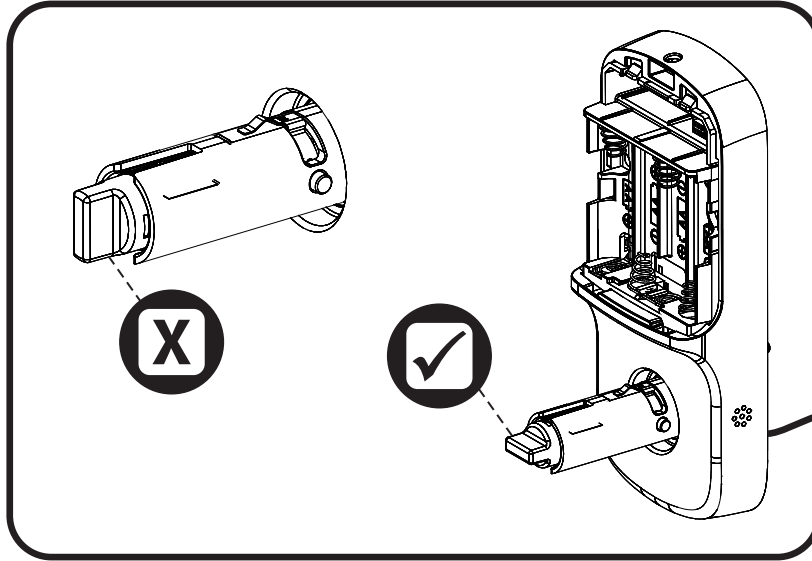


# 5

## Installing Interior Lock Right Hand Installation Shown

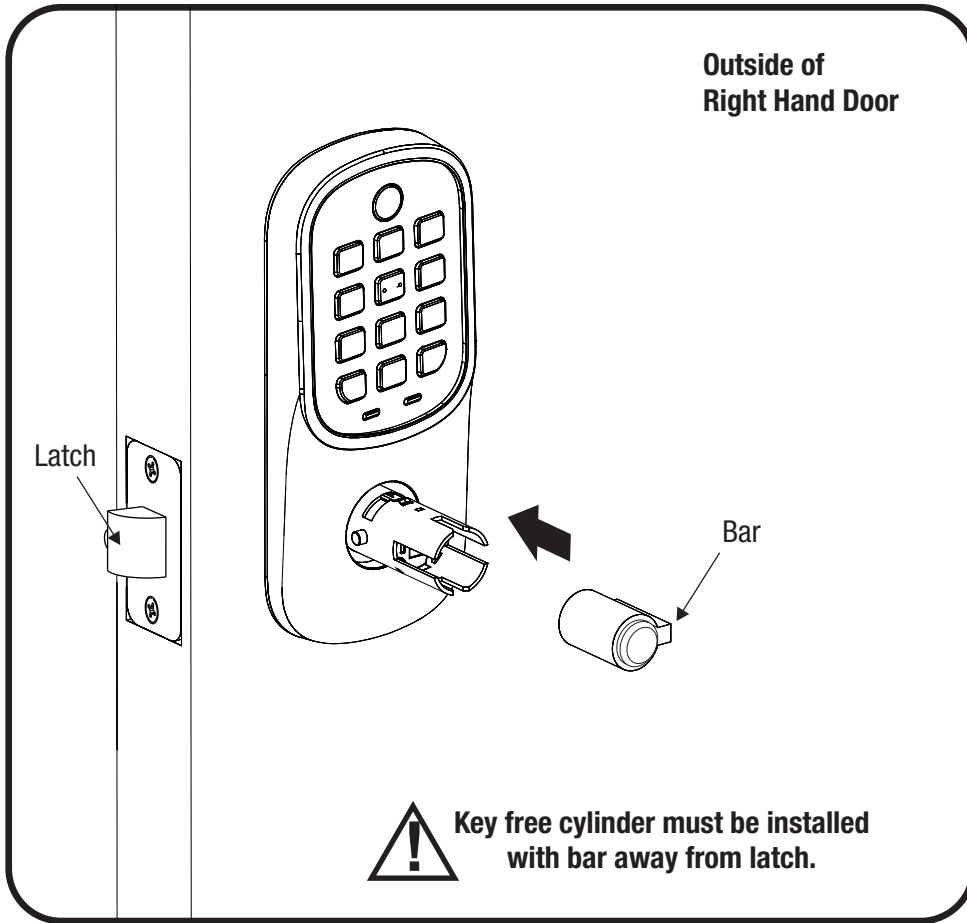


X2



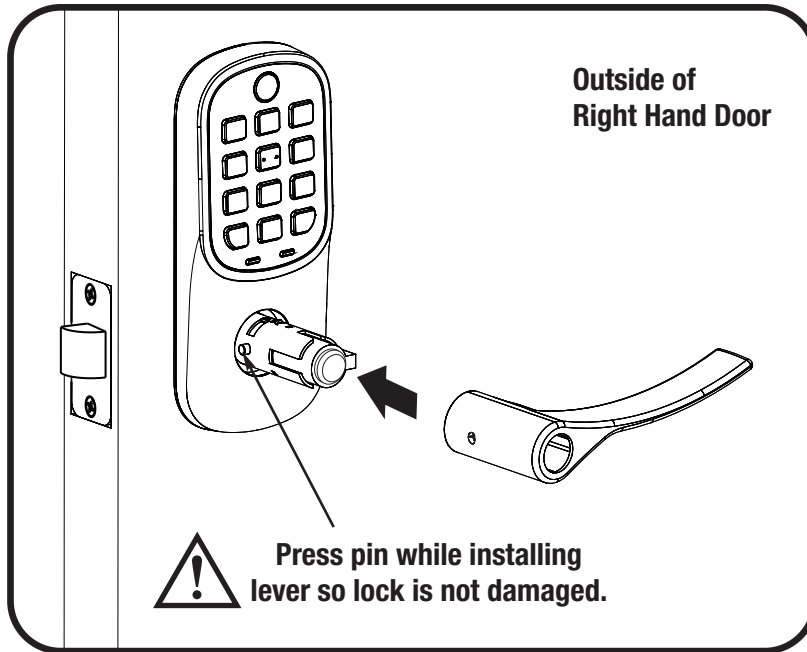
# 6

## Installing Exterior Key Free Cylinder



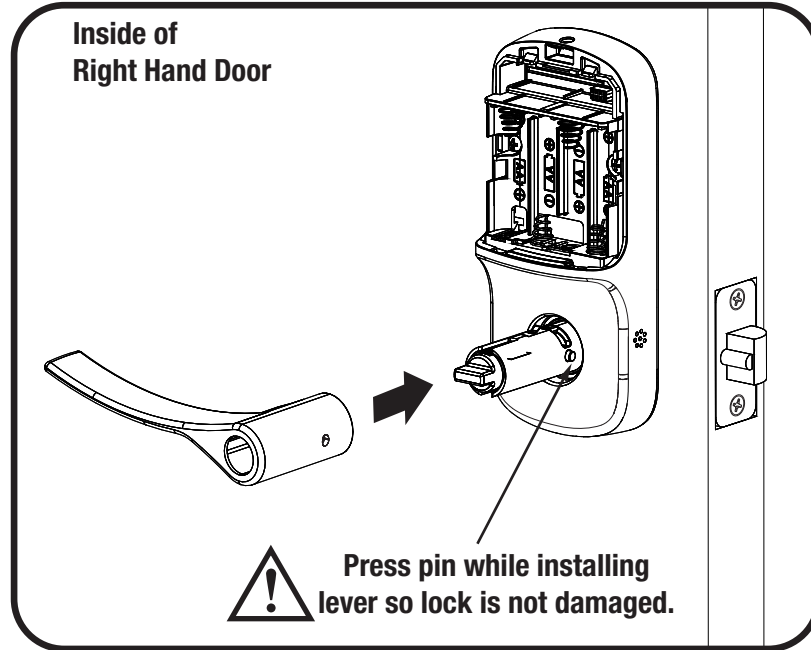
# 7

## Installing Exterior Lever



# 8

## Installing Interior Lever

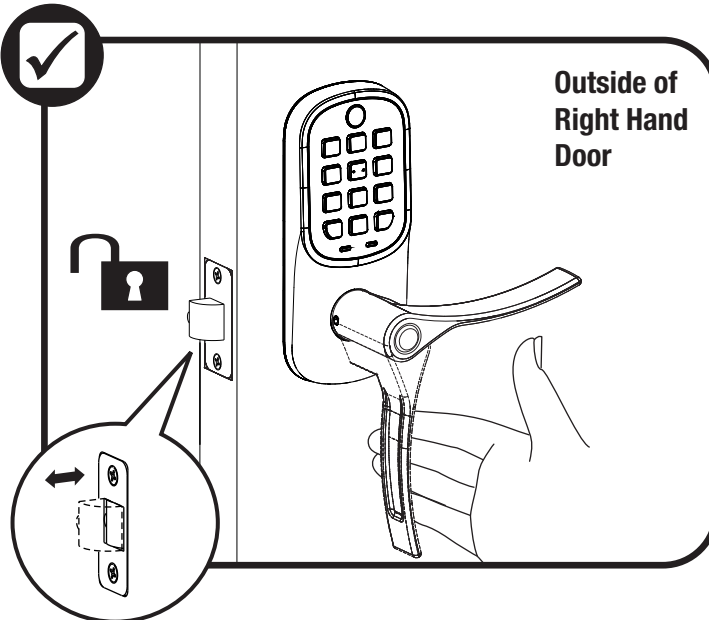
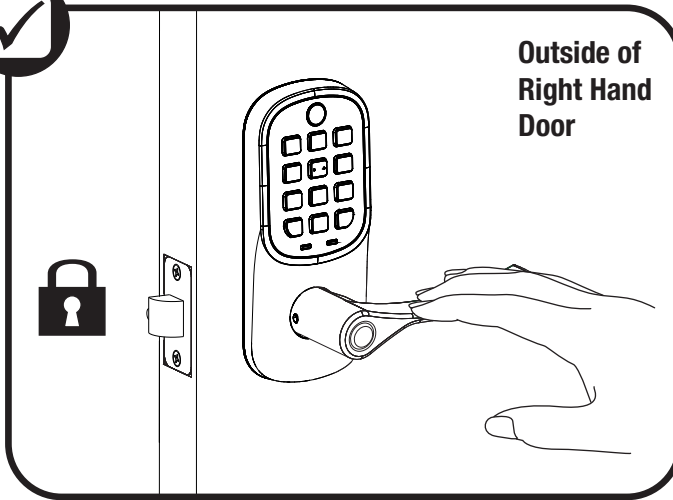
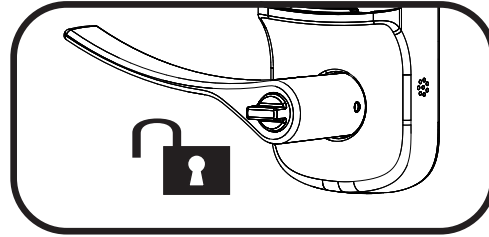
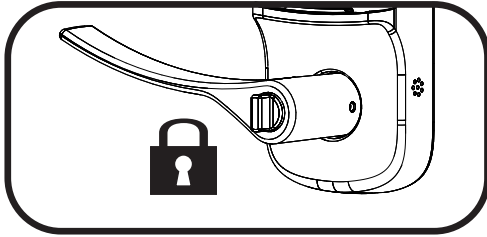




# Testing Mechanical Operation



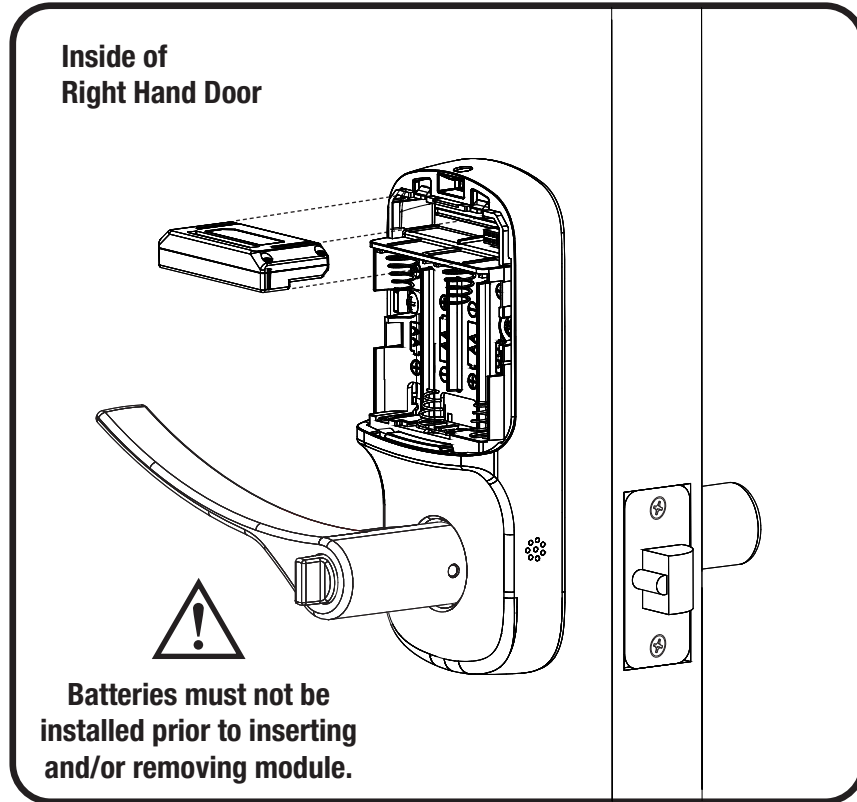
Test interior and exterior operation with door open.



Test thumbturn and both levers in locked and unlocked positions. If operation fails, check installation beginning with Step 3 and refer to Hardware Troubleshooting.

# 9

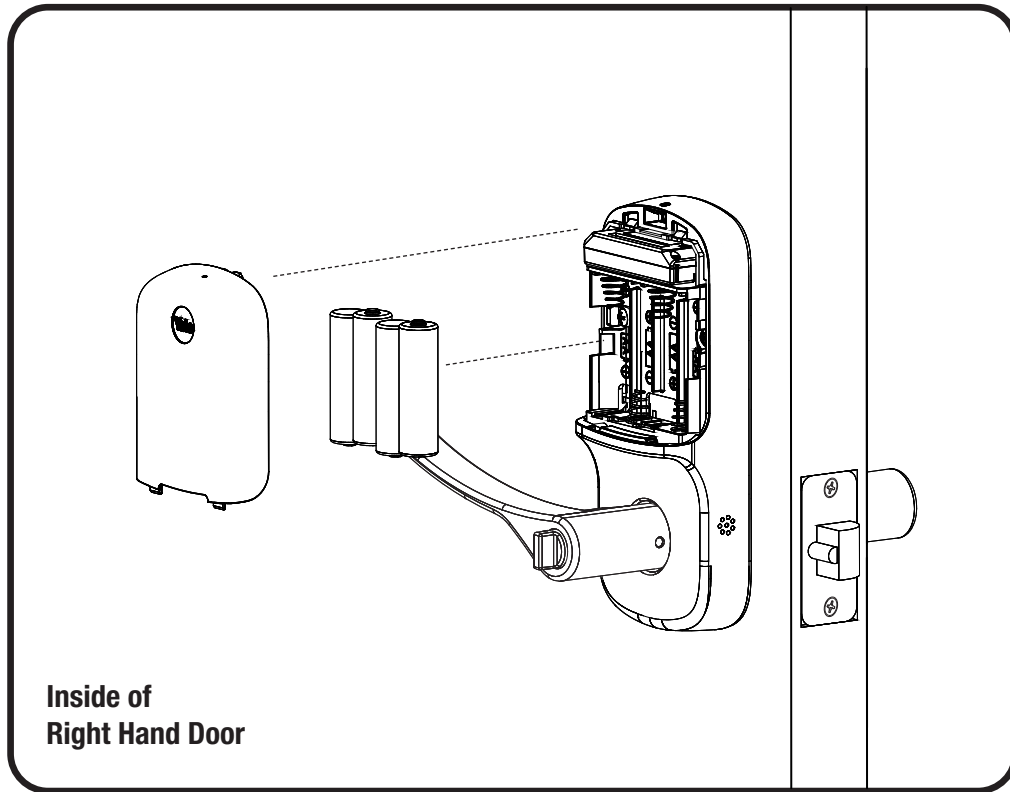
## Installing Optional Smart Module (if included)



NOTE: If a Smart module was included with your lock, it is in a separate box with additional module installation instructions.

# 10

## Installing Batteries & Cover



Congratulations, you've installed the  
Yale<sup>®</sup> Assure Lever<sup>™</sup> Key Free Push Button (YRL236)!  
Programming Instructions will help  
you customize your product.



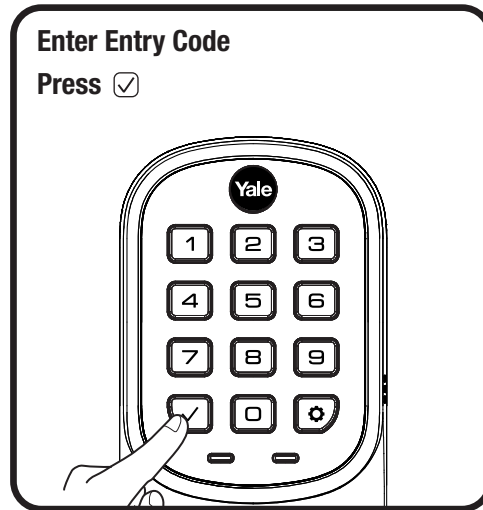


# Testing Push Button Operation



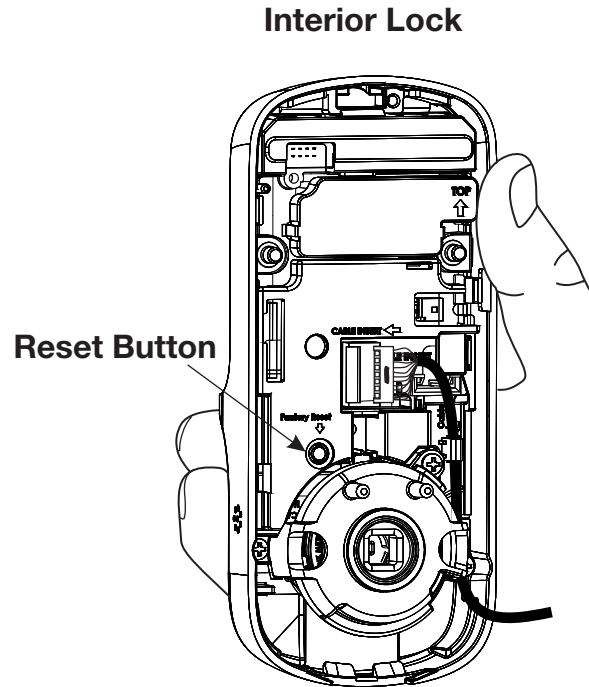
Test with door open.

A Master Entry Code must be created upon installation or after resetting the lock to factory default. Programming and use of lock is not possible until this step has been successfully completed. See ① of Programming Instructions below.



If push button operation test fails, check installation beginning with Step 2.

# Resetting Lock to Factory Default



When resetting the lock, all user codes, including the Master Entry Code\*, are deleted. All programming features are reset to original default settings. See “Factory Settings”.

1. Remove the battery cover and batteries.
2. Remove the interior lock to access the reset button.
3. The reset button (see image above) is marked.
4. Re-insert 3 batteries and hold the reset button for 3 seconds.
5. While still holding the reset button, insert the 4th battery, and hold the reset button for an additional 3 seconds.
6. Release the reset button.
7. Re-install the interior lock onto the door.

\*Upon reset, Master Entry Code creation is the only option available and must be performed prior to any other programming of the lock.

# Factory Settings

Settings	Factory Setting
Master Entry (PIN) Code	Registration <i>required</i> *
Audio Mode	Enabled
Automatic Re-lock	Disabled
Automatic Re-lock Time	30 Seconds
Inside Indicator Light	Disabled (Off)
Lockout Mode	Disabled
One Touch Locking	Enabled
Shutdown Time	60 Seconds
Wrong Code Entry Limit	5 Times

\*The Master Entry Code must be created prior to any other programming of the lock.

## NOTE TO INSTALLER AND CONSUMER

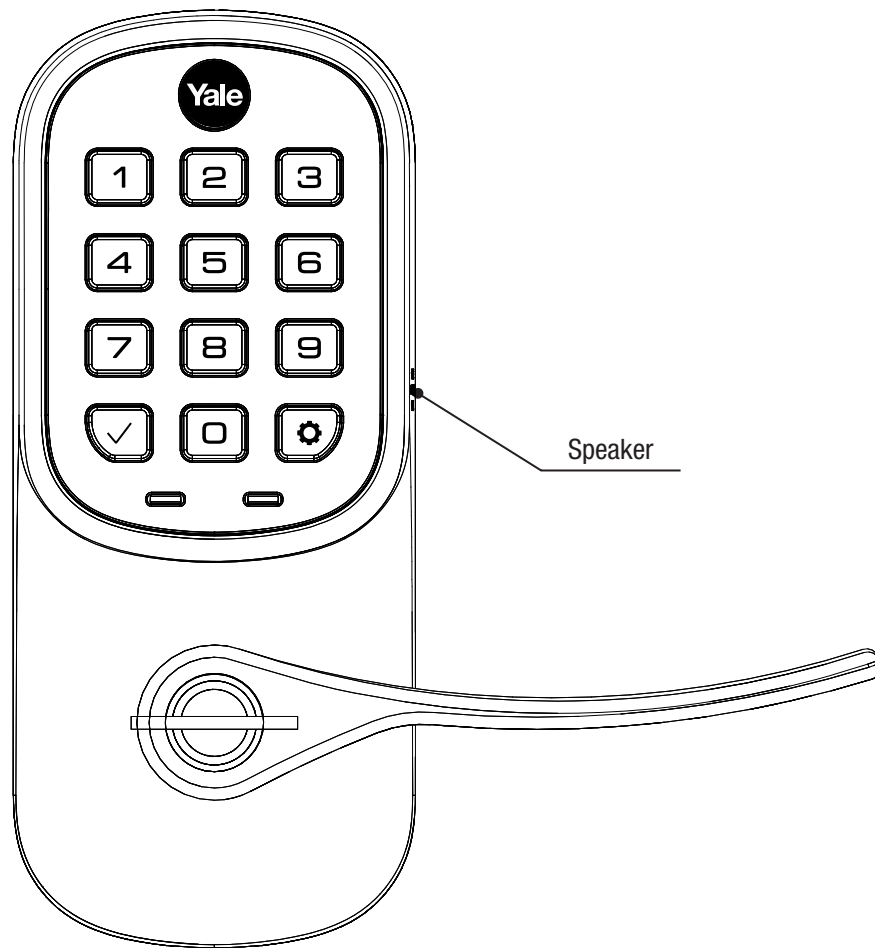
While Yale® has included several features to prevent lockout (9-Volt battery jumper, low battery warnings), it is still possible for a lockout situation to occur. Because this product does not have a mechanical override (a key), Yale® recommends to use this product in an environment where there are additional entry points into the dwelling.

# Hardware Troubleshooting

Cycle lock in both the locked and unlocked positions. If problems are found:

<p>Tailpiece and spindle will not mate and fit into the interior escutcheon</p> <ol style="list-style-type: none"><li>Ensure that your door is between 1-3/8" and 1-3/4" thick</li><li>Ensure that the square shaped spindle has "Top" writing and arrow facing upwards</li><li>Place the tailpiece in the vertical position</li><li>Verify that the thumb turn is in the horizontal (unlocked) position</li></ol>
<p>Thumbturn does not rotate electronically or physically</p> <ol style="list-style-type: none"><li>Verify that inside of the lock is properly seated on the mounting bracket</li><li>Ensure that the square shaped spindle has "Top" writing and arrow facing upwards</li><li>Place the tailpiece in the vertical position</li><li>Verify that the thumb turn is in the horizontal (unlocked) position</li></ol>
<p>I'm getting an alert when I try to lock or unlock the door electronically</p> <ol style="list-style-type: none"><li>Do not turn or depress the lever during operation, this could cause a jam alarm</li><li>Check that thumb turn does not have anything preventing it from physically rotating</li><li>Verify that you can rotate thumb turn freely</li></ol>
<p>My lock is not making any sound when I push buttons</p> <ol style="list-style-type: none"><li>Using the programming tree in the manual to verify that Audio is enabled</li><li>If Audio is enabled, ensure that the white cable, that connects the keypad to the interior of the lock, is not pinched or broken</li></ol>
<p>When rotating the thumbturn I hear noise</p> <ol style="list-style-type: none"><li>A little bit of noise is normal when operating the thumbturn</li><li>If cranking, grinding or clicking occurs please verify your installation</li></ol>
<p>The locking pins will not retract when I try to install the levers</p> <ol style="list-style-type: none"><li>If the thumb turn is in vertical (locked) position, rotate the thumb turn the horizontal (unlocked) position and it will retract</li></ol>

# Programming Instructions

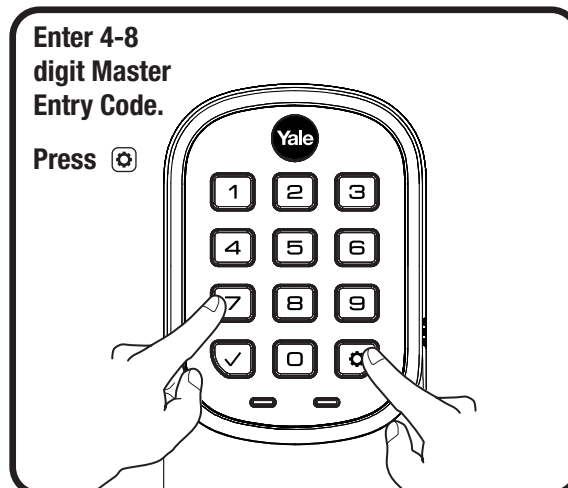
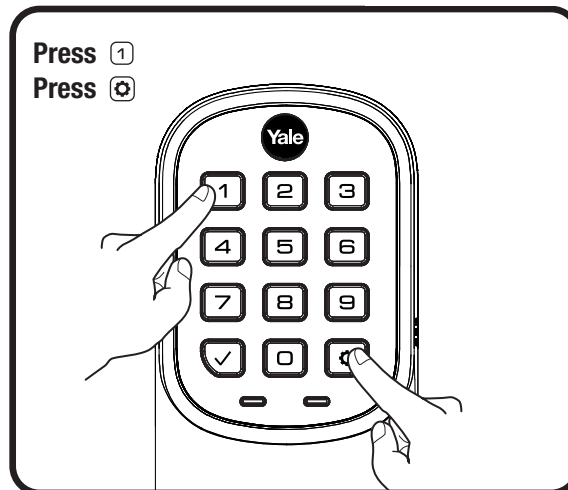
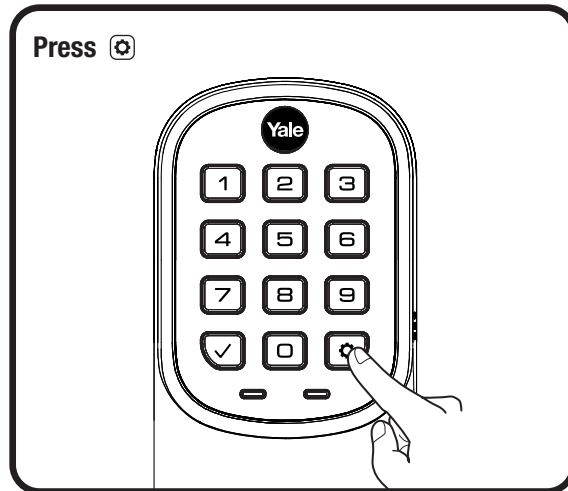


Master Entry Code must be created before any further programming.  
Max User Codes = 250 with Smart Module and 25 without.

# 1

## Creating Master Entry Code

Creating a Master Entry Code must be performed upon installation or after resetting the lock to factory default. Programming and use of lock is not possible until this step has been successfully completed.

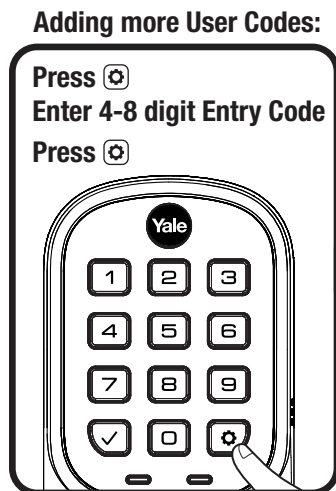
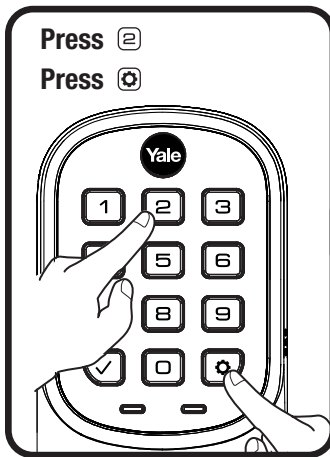
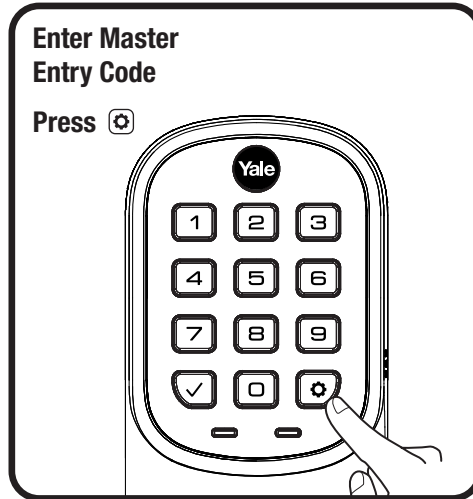


# 2

## Creating User Entry Codes

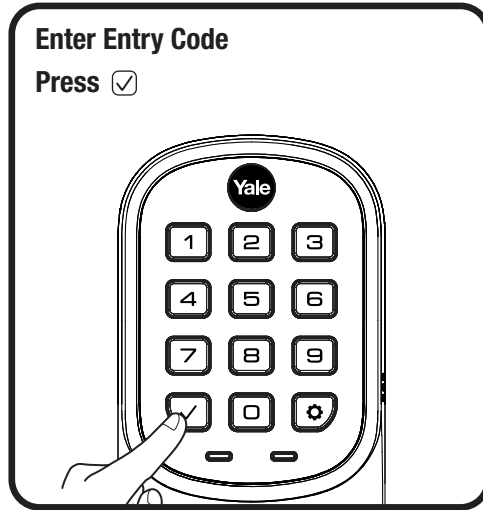
Master Entry Code must be created first.

\*Max user codes = 250 with Smart Module and 25 without.



# 3

## Unlocking Door with Entry Code



### Code Chart Duplicate if necessary

Entry Code Management	Entry Code
Master:	
User Name:	



# Definitions

**All Code Lockout Mode:** This feature is enabled by the Master code. When enabled, it restricts all user (except Master) entry code access. When attempting to enter a code while the unit is in Lockout, unit flashes and sounds a Lockout alarm.

**Audio Mode:** The audio setting for entry code verification is set to **Enable (1)** by default; otherwise it can be set to **Disable (3)** for quiet areas.

**Automatic Re-lock Time:** After a successful code entry or manual unlock, the lock will automatically re-lock after each unlock in an effort to keep your home secure. This feature is optional, and can be turned off. In the ON mode, the lock will automatically re-lock after thirty (30) seconds.

**Inside Indicator Light:** Located on the interior escutcheon. Shows active status (Locked) of lock and can be enabled or disabled in the **Advanced Lock Settings** (Main Menu selection #3).

**Low Battery:** When battery power is low, the Yale logo button lights RED when unit is used. If battery power is completely lost, use the 9Volt battery override. To use the 9V battery override apply 9V battery, in either direction, to terminals below the keypad for backup power option. Enter your entry code to unlock the door.

**Master Entry Code:** The Master Entry Code is used for programming and for feature settings. **It must be created prior to programming the lock.** The Master code will also operate (unlock/lock) the lock.

**Smart Module Setting:** With the optional Smart Module installed, this setting becomes available thru the Main Menu (7) and allows the lock to connect with a network controller.

**One Touch Locking:** When the latch is retracted, activating the keypad will extend the latch (during Automatic Re-lock duration or when Automatic Re-lock is disabled). When One-Touch Re-lock is **not** in use (**disabled**), any valid entry code will re-lock the lock.



**Shutdown Time:** The unit will shutdown (flashing RED) for sixty (60) seconds and not allow operation after the wrong code entry limit (5 attempts) has been met.

**Tamper Alert:** Audible alarm sounds if attempting to forcibly remove outside lock from door.

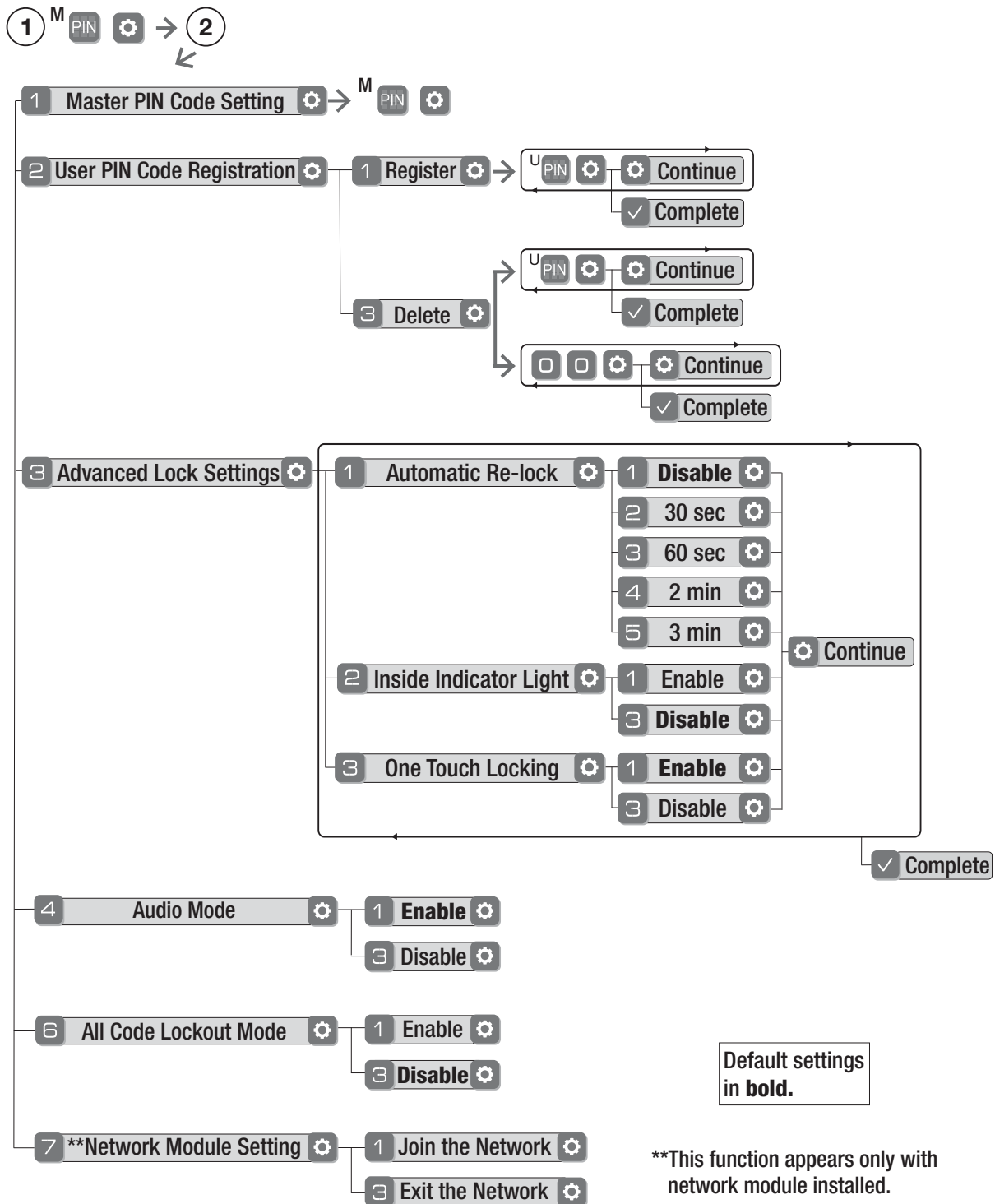
**User Entry Code:** The User code operates the lock. Maximum number of user codes is 250 with Smart Module and 25 without. Note: When deleting User Entry Code(s), screen will display User Number (not entry code) being deleted.

**Wrong Code Entry Limit:** After five (5) unsuccessful attempts at entering a valid entry code, the unit will shut down and not allow operation for sixty (60) seconds.







# Feature Programming Through Menu Mode Using Master Entry Code\*

1. Enter 4-8 digit Master Entry Code\* followed by  key.
2. Enter digit corresponding to the function to be performed followed by the  key.

\*The Master Entry Code must be created prior to any other programming of the lock.



# Programming Troubleshooting

Symptom	Suggested Action
Lock does not respond – door is open and accessible.	<ul style="list-style-type: none"> <li>• Press each keypad button for response when pressed.</li> <li>• Check batteries are installed and oriented correctly (polarity) in the battery case.</li> <li>• Check batteries are in good condition; replace batteries* if discharged.</li> <li>• Check to see if keypad harness is fully connected and not pinched.</li> </ul>
Lock does not respond – door is locked and inaccessible.	<ul style="list-style-type: none"> <li>• Batteries may be completely discharged.</li> </ul>
Unit is on for a while then shows no reaction. Lights dim.	<ul style="list-style-type: none"> <li>• Batteries do not have enough power. Replace batteries*.</li> </ul>
Unit chimes to indicate code acceptance, but the door will not open.	<ul style="list-style-type: none"> <li>• Check the door gaps for any foreign objects between door and frame.</li> <li>• Check that the wire cable is firmly connected to the board.</li> </ul>
Unit operates to allow access, but will not automatically re-lock.	<ul style="list-style-type: none"> <li>• Check to see if Auto Re-lock Mode is enabled.</li> <li>• Disable Auto Re-lock Mode to lock the door (automatically).</li> <li>• If low battery indicator is lit (see below), change batteries*.</li> </ul>
Entry codes will not register.	<ul style="list-style-type: none"> <li>• Entry codes must consist of 4 to 8 digits to register.</li> <li>• The same entry code cannot be used for multiple users.</li> <li>• Registration/management of entry codes is set by the authority of the Master Code, which is set first.</li> <li>• Contact the Master user.</li> <li>• User codes must be entered within 5 seconds or process will have to be restarted.</li> <li>• Check  or gear  cannot be used as part of the entry code.</li> </ul>
Upon entering an entry code and pressing  key, the lock gives a series of beeps, flashes red 7 times, and does not unlock.	<ul style="list-style-type: none"> <li>• All Code Lockout Mode is enabled.</li> <li>• Only the Master user can enable/disable All Code Lockout Mode.</li> <li>• Contact the Master user.</li> </ul>
Upon entering an entry code and pressing the  key, the lock gives a series of beeps.	<ul style="list-style-type: none"> <li>• Check to see if the lock is set to All Code Lockout Mode.</li> <li>• Setting/managing All Code Lockout Mode is done through Master Code only. Contact the Master user.</li> </ul>
The unit operates, but it makes no sound.	<ul style="list-style-type: none"> <li>• Enable Audio Mode</li> </ul>
The unit displays intermittent RED flashes.	<ul style="list-style-type: none"> <li>• This is the alert to replace the batteries. Replace all four (4) batteries* with new AA Alkaline batteries.</li> </ul>
Upon entering an entry code and pressing the  key, the unit responds with a series of beeps and the keypad flashes three times.	<ul style="list-style-type: none"> <li>• The digits entered were incorrect or incomplete. Re-enter the correct code followed by the check  key.</li> </ul>

\* When batteries are replaced, Smart Module locks have a real time clock that will be set through the User Interface (UI); it is recommended to verify correct date and time particularly those locks operating under Daylight Saving Time (DST).

**FCC:***Class B Equipment*

This equipment has been tested and found to comply with the limits for a Class B digital device, pursuant to Part 15 of the FCC Rules. These limits are designed to provide reasonable protection against harmful interference in a residential installation. This equipment generates, uses, and can radiate radio frequency energy and, if not installed and used in accordance with the instructions, may cause harmful interference to radio communications. However, there is no guarantee that interference will not occur in a particular installation. If this equipment does cause harmful interference to radio or television reception, which can be determined by turning the equipment off and on, the user is encouraged to try to correct the interference by one or more of the following measures:

- Reorient or relocate the receiving antenna.
- Increase the separation between the equipment and receiver.
- Connect the equipment into an outlet on a circuit different from that to which the receiver is connected.
- Consult the dealer or an experienced radio/TV technician for help.

**Warning:** Changes or modifications to this device, not expressly approved by **ASSA ABLOY Residential Group, Inc.** could void the user's authority to operate the equipment.

**Industry Canada:**

This Class A digital apparatus meets all requirements of the Canadian Interference Causing Equipment Regulations.

Cet appareillage numérique de la classe A répond à toutes les exigences de l'interférence canadienne causant des règlements d'équipement.

## Yale Locks & Hardware

Product Support Tel 1-855-213-5841 • [www.yalehome.com](http://www.yalehome.com)

Yale® and Yale Real Living® are registered trademarks of ASSA ABLOY Residential Group, Inc.

Assure Lever™ is a trademark of ASSA ABLOY Residential Group, Inc.

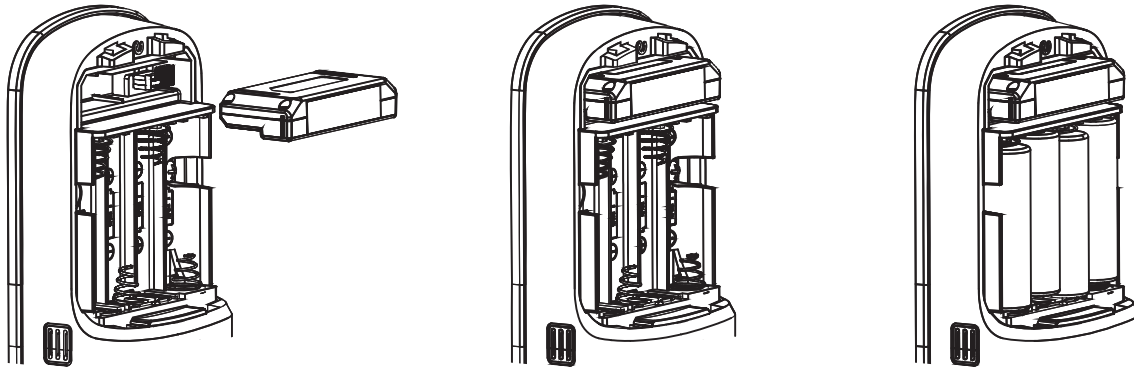
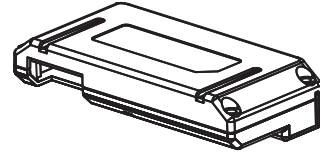
Other products' brand names may be trademarks or registered trademarks of their respective owners and are mentioned for reference purposes only.

© Copyright 2019. All rights reserved. Reproduction in whole or in part without the express written permission of ASSA ABLOY Residential Group, Inc. is prohibited.

## Installing the Z-Wave® Plus Module

**IMPORTANT:** the batteries must be removed prior to removing and/or inserting the network module:






- Remove battery cover and batteries.
- Remove and/or insert Network Module.
- Reinstall batteries and battery cover.








## Enrolling/Unenrolling the Network Module:

This device is a security enabled Z-Wave Plus product that is able to use encrypted Z-Wave Plus messages to communicate to other security enabled Z-Wave Plus products. This device must be used in conjunction with a Security Enabled Z-Wave Controller in order to fully utilize all implemented functions. This product can be operated in any Z-Wave network with other Z-Wave certified devices from other manufacturers. All non-battery operated nodes within the network will act as repeaters regardless of vendor to increase reliability of the network.

To Enroll/Add the Module (Inclusion Mode):

- Enter the 4-8 digit Master PIN code followed by the  key.
- Press the  key followed by the  key.
- Press the  key followed by the  key.

To Unenroll/Remove the Module (Exclusion Mode):

- Enter the 4-8 digit Master PIN code followed by the  key.
- Press the  key followed by the  key.
- Press the  key followed by the  key.

Factory Reset - If No Controller:

- See the Lock Installation Manual
- Please use this procedure only when the network primary controller is missing or otherwise inoperable.

For System Integrators: Specific Z-Wave Plus association and parameter information for your lock is available at [YaleHome.com/ZwavePlus](http://YaleHome.com/ZwavePlus).



**Warning:** Changes or modifications to this device, not expressly approved by Yale Security Inc. could void the user's authority to operate the equipment.

#### **FCC:**

Contain FCC ID: U4A-YRHCPZWOFM

Model: YRMZW2-US

This equipment has been tested and found to comply with the limits for a Class B digital device, pursuant to Part 15 of the FCC Rules. These limits are designed to provide reasonable protection against harmful interference in a residential installation. This equipment generates, uses, and can radiate radio frequency energy and, if not installed and used in accordance with the instructions, may cause harmful interference to radio communications. However, there is no guarantee that interference will not occur in a particular installation. If this equipment does cause harmful interference to radio or television reception, which can be determined by turning the equipment off and on, the user is encouraged to try to correct the interference by one or more of the following measures:

- Reorient or relocate the receiving antenna.
- Increase the separation between the equipment and receiver.
- Connect the equipment into an outlet on a circuit different from that to which the receiver is connected.
- Consult the dealer or an experienced radio/TV technician for help.

THIS DEVICE COMPLIES WITH PART 15 OF THE FCC RULES. OPERATION IS SUBJECT TO THE FOLLOWING TWO CONDITIONS.

(1) THIS DEVICE MAY NOT CAUSE HARMFUL INTERFERENCE, AND (2) THIS DEVICE MUST ACCEPT ANY INTERFERENCE RECEIVED, INCLUDING INTERFERENCE THAT MAY CAUSE UNDESIRE OPERATION.

Industry Canada:

Contain IC: 6982A-YRHCPZWOFM

Model: YRMZW2-US

**Section 7.1.2 of RSS-GEN** Under Industry Canada regulations, this radio transmitter may only operate using an antenna of a type and maximum (or lesser) gain approved for the transmitter by Industry Canada. To reduce potential radio interference to other users, the antenna type

and its gain should be so chosen that the equivalent isotropically radiated power (e.i.r.p.) is not more than that necessary for successful communication.

En vertu des règlements d'Industrie Canada, cet émetteur radio ne peut fonctionner avec une antenne d'un type et un maximum (ou moins) approuvés pour gagner de l'émetteur par Industrie Canada. Pour réduire le risque d'interférence aux autres utilisateurs, le type d'antenne et son gain doivent être choisies de façon que la puissance isotrope rayonnée équivalente (PIRE) ne dépasse pas ce qui est nécessaire pour une communication réussie.

**Section 7.1.3 of RSS-GEN** This Device complies with Industry Canada License-exempt RSS standard(s).

Operation is subject to the following two conditions: 1) this device may not cause interference, and 2) this device must accept any interference, including interference that may cause undesired operation of the device.

Cet appareil est conforme avec Industrie Canada RSS standard exemptes de licence(s). Son fonctionnement est soumis aux deux conditions suivantes: 1) ce dispositif ne peut causer des interférences, et 2) cet appareil doit accepter toute interférence, y compris les interférences qui peuvent causer un mauvais fonctionnement du dispositif.

This radio transmitter 6982A-YRHCPZWOFM has been approved by Industry Canada to operate with the antenna types listed below with the maximum permissible gain indicated. Antenna types not included in this list, having a gain greater than the maximum gain indicated for that type, are strictly prohibited for use with this device.

Le présent émetteur radio 6982A-YRHCPZWOFM a été approuvé par Industrie Canada pour fonctionner avec les types d'antenne énumérés ci-dessous et ayant un gain admissible maximal. Les types d'antenne non inclus dans cette liste, et dont le gain est supérieur au gain maximal indiqué, sont strictement interdits pour l'exploitation de l'émetteur.

CAN ICES-3B/NMB-3B

## **Yale Locks & Hardware**

Product Support Tel 1-855-213-5841 • [www.yalehome.com](http://www.yalehome.com)

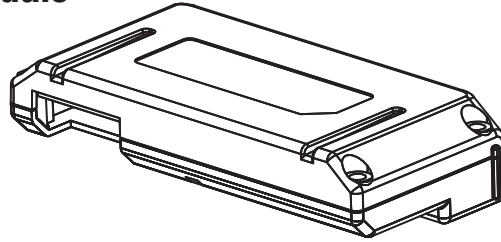
Yale Locks & Hardware is a division of Yale Security Inc., an ASSA ABLOY Group company.

Yale® and Yale Real Living® are registered trademarks of Yale Security Inc., an ASSA ABLOY Group Company. Other products' brand names may be trademarks or registered trademarks of their respective owners and are mentioned for reference purposes only. Copyright © 2017, Yale Security Inc., an ASSA ABLOY Group company. All rights reserved. Reproduction in whole or in part without the express written permission of Yale Security Inc. is prohibited.

**YALE**, with its unique global reach and range of products, is the world's favorite lock  
– the preferred solution for securing your home, family and personal belongings.

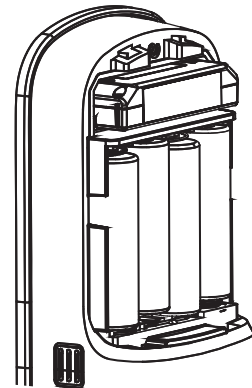
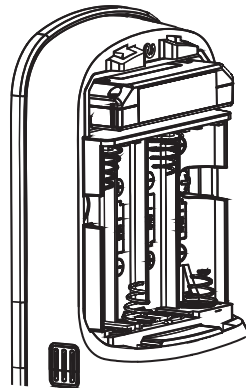
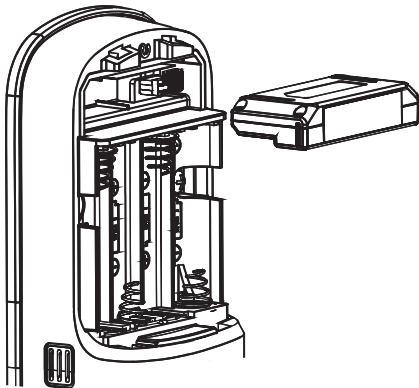
**ASSA ABLOY** is the global leader in door opening solutions,  
dedicated to satisfying end-user needs for security, safety and convenience.

## Installing the ZigBee® Module



**IMPORTANT:** the batteries must be removed prior to removing and/or inserting the network module:






- Remove battery cover.
- Remove batteries.
- Remove and/or insert network module.
- Reinstall batteries.
- Replace cover.








## Enrolling/Unenrolling the Network Module:

This device is a security enabled ZigBee product that is able to use encrypted ZigBee messages to communicate to other security enabled ZigBee products. This device must be used in conjunction with a Security Enabled ZigBee Controller in order to fully utilize all implemented functions. This product can be operated in any ZigBee network with other ZigBee certified devices from other manufacturers. All non-battery operated nodes within the network will act as repeaters regardless of vendor to increase reliability of the network.

To Enroll the Module (Inclusion Mode):

- Enter the 4-8 digit Master PIN code followed by the  key.
- Press the  key followed by the  key.
- Press the  key followed by the  key.

To Unenroll the Module (Exclusion Mode):

- Enter the 4-8 digit Master PIN code followed by the  key.
- Press the  key followed by the  key.
- Press the  key followed by the  key.

**FCC:**

FCC ID: U4A-YRHCPZB0FM

Model: YRMZB2

This equipment has been tested and found to comply with the limits for a Class B digital device, pursuant to Part 15 of the FCC Rules. These limits are designed to provide reasonable protection against harmful interference in a residential installation. This equipment generates, uses, and can radiate radio frequency energy and, if not installed and used in accordance with the instructions, may cause harmful interference to radio communications. However, there is no guarantee that interference will not occur in a particular installation. If this equipment does cause harmful interference to radio or television reception, which can be determined by turning the equipment off and on, the user is encouraged to try to correct the interference by one or more of the following measures:

- Reorient or relocate the receiving antenna.
- Increase the separation between the equipment and receiver.
- Connect the equipment into an outlet on a circuit different from that to which the receiver is connected.
- Consult the dealer or an experienced radio/TV technician for help.

This equipment complies with FCC radiation exposure limits set forth for an uncontrolled environment. This equipment should be installed and operated with minimum distance 20cm between the radiator and your body. This transmitter must not be co-located or operating in conjunction with any other antenna or transmitter.

This device complies with Part 15 of the FCC rules. Operation is subject to the following two conditions: (1) This device may not cause harmful interference, and (2) this device must accept any interference received, including interference that may cause undesired operation. Any changes or modifications not expressly approved by manufacturer could void the user's authority to operate the equipment.

**IMPORTANT!** Any changes or modifications not expressly approved by the party responsible for compliance could void the user's authority to operate this equipment.

Industry Canada:

IC: 6982A-YRHCPZB0FM

Model: YRMZB2

This Device complies with Industry Canada License-exempt RSS standard(s). Operation is subject to the following two conditions: 1) this device may not cause interference, and 2) this device must accept any interference, including interference that may cause undesired operation of the device.

Le présent appareil est conforme aux CNR d'Industrie Canada applicables aux appareils radio exempts de licence. L'exploitation est autorisée aux deux conditions suivantes: (1) l'appareil ne doit pas produire de brouillage, et (2) l'utilisateur de l'appareil doit accepter tout brouillage radioélectrique subi, même si le brouillage est susceptible d'en compromettre le fonctionnement.

**Important Note:****Radiation Exposure Statement:**

This equipment complies with IC radiation exposure limits set forth for an uncontrolled environment. This equipment should be installed and operated with minimum distance 20cm between the radiator and your body.

**Note Importante: (Pour l'utilisation de dispositifs mobiles)****Declaration d'exposition aux radiations:**

Cet équipement est conforme aux limites d'exposition aux rayonnements IC établies pour un environnement non contrôlé. Cet équipement doit être installé et utilisé avec un minimum de 20 cm de distance entre la source de rayonnement et votre corps.

**IMPORTANT!** Any changes or modifications not expressly approved by the party responsible for compliance could void the user's authority to operate this equipment.

**IMPORTANT!** Tous les changements ou modifications pas expressément approuvés par la partie responsable de la conformité ont pu vider l'autorité de l'utilisateur pour actionner cet équipement.

CAN ICES-3B/NMB-3B

## Yale Locks & Hardware

Product Support Tel 1-855-213-5841 • [www.yalehome.com](http://www.yalehome.com)

Yale Locks &amp; Hardware is a division of Yale Security Inc., an ASSA ABLOY Group company.

Yale® and Yale Real Living® are registered trademarks of Yale Security Inc., an ASSA ABLOY Group Company.Other products' brand names may be trademarks or registered trademarks of their respective owners and are mentioned for reference purposes only.Copyright © 2017, Yale Security Inc., an ASSA ABLOY Group company.All rights reserved. Reproduction in whole or in part without the express written permission of Yale Security Inc. is prohibited.

**YALE**, with its unique global reach and range of products, is the world's favorite lock  
– the preferred solution for securing your home, family and personal belongings.

**ASSA ABLOY** is the global leader in door opening solutions,  
dedicated to satisfying end-user needs for security, safety and convenience.